

**WHOLE
LABORATORY
SOLUTIONS.**

**CATALOGUE
2025**

COMPANY PROFILE

01

FUME HOOD

02

- Fume Hood-SK Series | 04
- Fume hood- SR Series | 05
- Walk-in Fume Hood-WK Series | 06
- Stainless Steel Fume hood- SS Series | 07
- Polypropylene Fume hood-PP Series | 08
- PP Fume hood with Water Scrubber-PPW Series | 09
- Ductless Fume hood-DFH Series | 11

LAB FURNITURE

03

- Steel Lab Workbench system | 14**
 - Floor Mounted Structure Workbench | 14
 - Workbench with C-Frame | 15
 - Workbench with H-Frame | 16
 - Module/Mobile Workbench | 17

Steel-Wood Workbench System | 18

Service Modules | 19

- Reagent Shelf | 19
- Service Drop | 20

Balance Table | 21

STORAGE CABINET

04

Lab Cabinet Unit System | 23

- Underbench Cabinet | 24
- Overbench Cabinet | 25
- Gas Cylinder Cabinet | 26
- Reagent Cabinet | 27
- Glassware Cabinet | 28
- Safety Storage Cabinet | 29
- Acid Storage Cabinet | 29
- Ductless Filtered Storage Cabinet | 30
- Locker | 31
- Steel Rack | 32

Accessories | 33

TABLE OF CONTENTS



Much of our world's industrial, medical and commercial progress starts in a laboratory. At HAMECC, we see ourselves as part of this process of innovation. We provide the world's best laboratory technology, combined with world class design and installation capacity, resulting in lab spaces that allow you to do what you do, better.

HAMECC(Shanghai)Lab Solutions Co., Ltd., as a leading supplier of laboratory furniture solutions, is an innovative enterprise that integrates R&D, manufacturing, and sales. HAMECC entrusts China-made to provide professional laboratory system solutions for global research institutions, universities, and enterprises' laboratories. HAMECC production base covers an area of 20000m² and workshop area nearly to 15000m².

HAMECC provides comprehensive turn-key laboratory furniture solutions for global customers that are either building a new lab or revamping an existing facility. HAMECC offers complete range of laboratory furniture system for global customers, including worktops, lab workbenches, fume hoods, exhaust systems, service fixtures and lab equipment. HAMECC products certified by SEFA8M and ASHARE110 standard.

HAMECC aims to manufacture quality laboratory furniture and offer products and services at a competitive price and to the satisfaction of our customers.

ABOUT HAMECC



FUME HOOD

Hamecc

Fume Hood Product Line



Fume hood, also known as a fume cupboard or chemical hood, is a vital safety device used in laboratories to provide a ventilated workspace.

HAMECC offers a complete line of laboratory fume hoods.

Bench-mounted hoods in widths from 48" to 72"

Walk-IN (Floor-mounted) hoods from 48" to 96" (Accept customized).

Energy efficiency, maximum ergonomics and a larger internal workspace make working with HAMECC fume hood even safer and more convenient.

ASHARE110-2016 CERTIFICATE

Features

The design, manufacturing, and installation of fume hoods are in accordance with ASHARE110 standard specifications; Performance meets all ASHARE110 testing requirements.

The fume hood has an additional upper surface exhaust system with medium and low suction airflow guides. The fume hood has an internal airflow distribution system and can distribute airflow inside the fume hood.

Due to laminar suction, the average residence time of harmful gases in the fume hood is very short.

Metallic construction enables columns with hollow spaces at the front -for easy maintenance and protection against air leakage.

Maintenance-friendly due to large inspection panel and easy to dismantle fitting.

Maximum usable interior space due to narrow sides.

Side service connections for easy tapping of water, gas, etc.

Exhaust air system for a full surface extraction over the worktop.

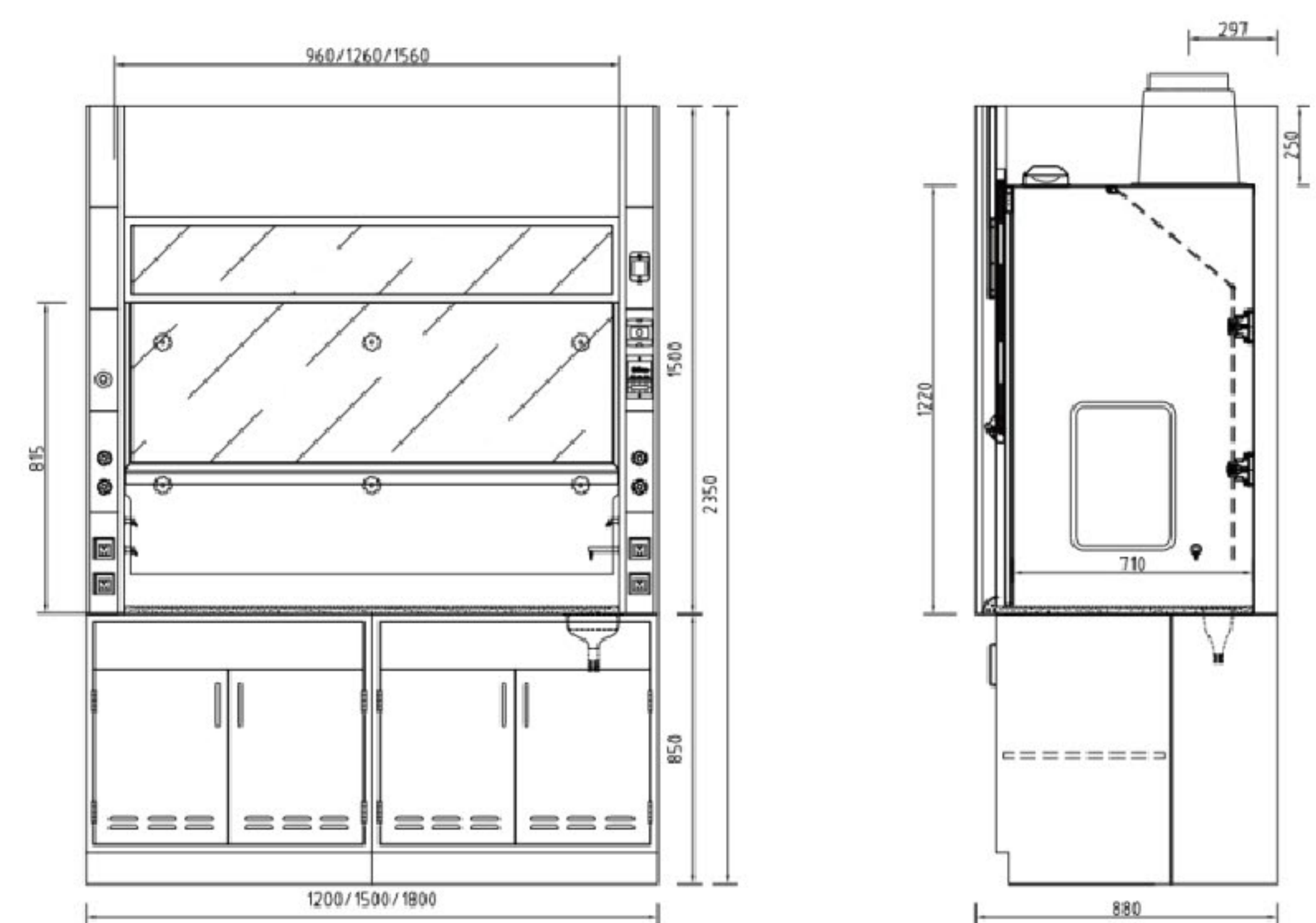
Ergonomically designed sash handle bar.

Wide range of accessories and options, such as automatic motorized sash drive, fume cupboard control.

The height of the gas collecting hood increased, and the exhaust effect is better.

The sash timing belt is a fine gear, which is smoother and quieter.

The sash frame is made of aluminum alloy, which is lightweight.



Optional Fitting

- Horizontally sliding sash
- With safety cabinet or acid under cabinet
- Integrated control panel
- Gas valve/outlet
- Water valve/outlet
- Blower; PP Duct.

Technical Data

Model	[SK SERIES] SK-W1200/SK-W1500/SK-W1800
Width [mm]	1200/1500/1800
Depth [mm]	880
Height [mm]	2350
Inner width [mm]	956/1256/1556
Inner Depth [mm]	740
Inner Height [mm]	1180
Extract manifold Diameter [mm]	250/250/315
Lighting	LEDx2/LEDx2/LEDx2

Material

Main Materials	Cold Rolled Steel with epoxy powder coating
Worktop	Ceramic, Epoxy resin, Phenolic resin, Trespa
Lining	Compact panel, Phenolic resin, fiberglass

Integration Solution

Electrical Supply	Power outlets on the exterior in the service panel
Water&Gas supply	Optional: air valve, water valve, PP Cup sink
Under Cabinet	Standard steel cabinet, safety cabinet, acid cabinet, etc.

Fume hood- SR Series



Features

- HAMECC SR Fume hood, with maximum ergonomics and a larger internal workspace.
- Largest possible access area. HAMECC SR fume hood offer an increased nominal width of the internal workspace and due to their special shape ensure that there is little turbulence in the intake air.
- Larger capacity of the internal workspace. The internal workspace is 10 % higher thus increasing the entire internal workspace. Useful when working with tall and wide items of experimental equipment.
- Maximum usable interior space due to narrow sides.
- Side service connections for easy tapping of water, gas, etc.
- Exhaust air system for a full surface extraction over the worktop.
- Ergonomically designed sash handle bar.
- Wide range of accessories and options, such as automatic motorized sash drive, fume cupboard control.
- The height of the gas collecting hood increased, and the exhaust effect is better.
- The sash timing belt is a fine gear, which is smoother and quieter.
- The sash frame is made of aluminum alloy, which is lightweight.

Optional Fitting

- Horizontally sliding sash
- With safety cabinet or acid under cabinet
- Integrated control panel
- Gas valve/outlet
- Water valve/outlet
- Blower; PP Duct.

Technical Data	
Model	[SR SERIES] SR-W1200/SR-W1500/SR-W1800
Width [mm]	1200/1500/1800
Depth [mm]	900
Height [mm]	2700
Inner width [mm]	1156/1456/1756
Inner Height [mm]	1470
Extract manifold Diameter [mm]	250/250/315
Lighting	LEDx2/LEDx2/LEDx2
Material	
Main Materials	Cold Rolled Steel with epoxy powder coating
Worktop	Ceramic, Epoxy resin, Phenolic resin, Trespa
Lining	Compact panel, Phenolic resin, ceramic, fiberglass
Integration Solution	
Electrical Supply	Power outlets on the exterior in the service panel
Water&Gas supply	Optional: air valve, water valve, PP Cup sink
Under Cabinet	Standard steel cabinet, safety cabinet, acid cabinet, etc.

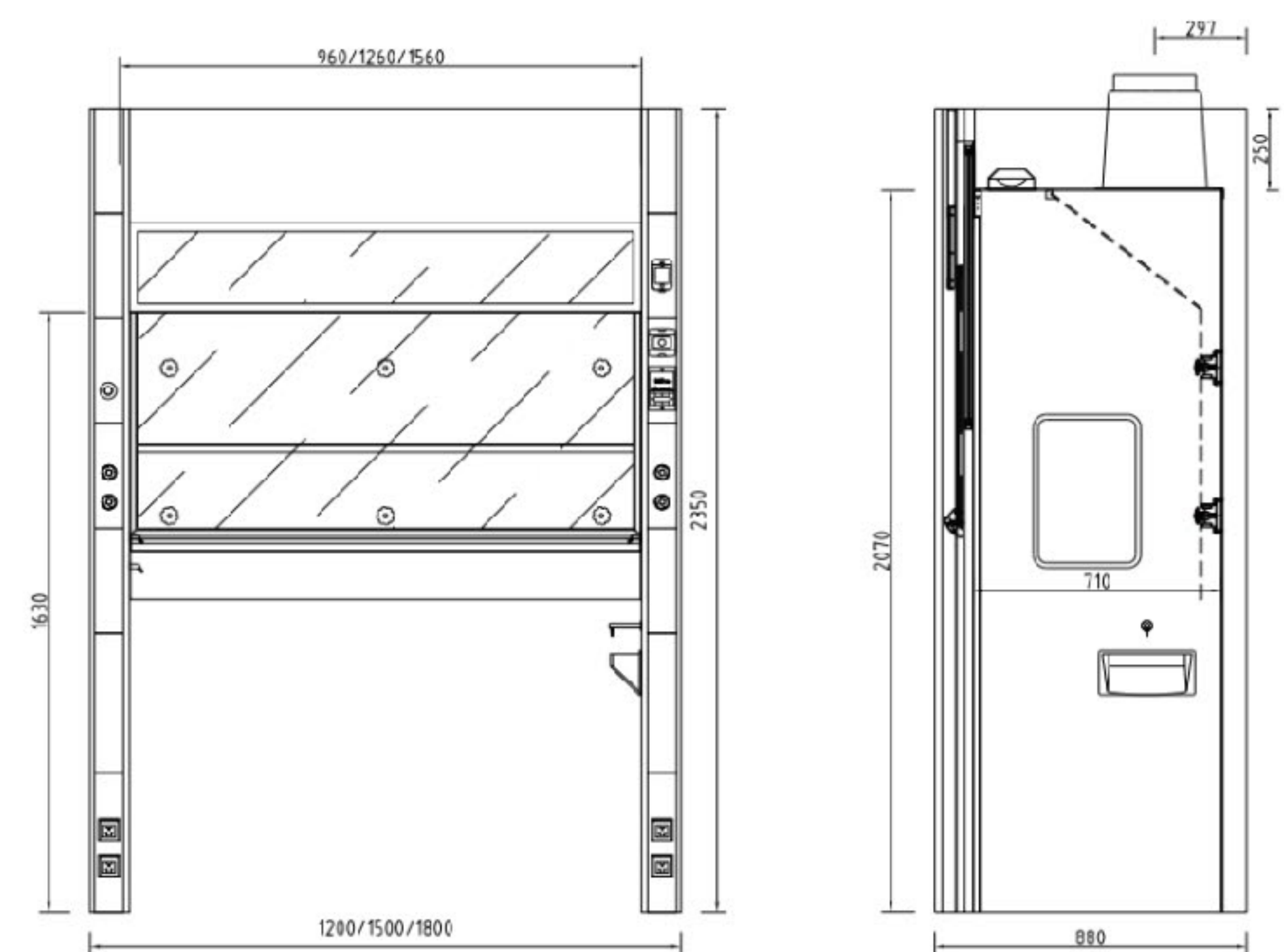
Features

- Exhaust: When the fume hood sash moves downward, the min. position limit device shall be set.
- Face Velocity: When the opening height of the sash changes, the exhaust air volume also changes accordingly. In the case of corresponding changes in the exhaust air volume, the face velocity should reach 0.5m/s.
- Optimized contamination retention capacity with simultaneously low exhaust air flow rates.
- Metallic construction enables columns with hollow spaces at the front - for easy maintenance and protection against air leakage.
- Maintenance-friendly due to large inspection panel and easy to dismantle fitting.
- Side service connections for easy tapping of water, gas, etc.
- Exhaust air system for a full surface extraction over the worktop.
- Ergonomically designed sash handle bar.
- Wide range of accessories and options, such as automatic motorized sash drive, fume cupboard control.
- The height of the gas collecting hood increased, and the exhaust effect is better.
- The sash timing belt is a fine gear, which is smoother and quieter.
- The sash frame is made of aluminum alloy, which is light weight.



Optional Fitting

- Integrated control panel
- Gas valve/outlet
- Water valve/outlet
- Blower; PP Duct.



Technical Data	
Model	[WK SERIES] WK-W1200/WK-W1500/WK-W1800
Width [mm]	1200/1500/1800
Depth [mm]	880
Height [mm]	2350
Inner width [mm]	956/1256/1556
Inner Depth [mm]	740
Inner Height [mm]	approx.2000
Extract manifold Diameter [mm]	250/250/315
Lighting	LEDx2/LEDx2/LEDx2
Material	
Main Materials	Cold Rolled Steel with epoxy powder coating
Lining	Compact panel, Phenolic resin, ceramic, fiberglass
Integration Solution	
Electrical Supply	Power outlets on the exterior in the service panel
Water&Gas supply	Optional: air valve, water valve, PP Cup sink

Stainless Steel Fume hood- SS Series



Features

The design, manufacturing, and installation of fume hoods are in accordance with ASHARE110 standard specifications; Performance meets all ASHARE110 testing requirements.

The fume hood has an additional upper surface exhaust system with medium and low suction airflow guides. The fume hood has an internal airflow distribution system and can distribute airflow inside the fume hood.

Due to laminar suction, the average residence time of harmful gases in the fume hood is very short.

Metallic construction enables columns with hollow spaces at the front -for easy maintenance and protection against air leakage.

Maintenance-friendly due to large inspection panel and easy to dismantle fitting.

Maximum usable interior space due to narrow sides.

Side service connections for easy tapping of water, gas, etc.

Exhaust air system for a full surface extraction over the worktop.

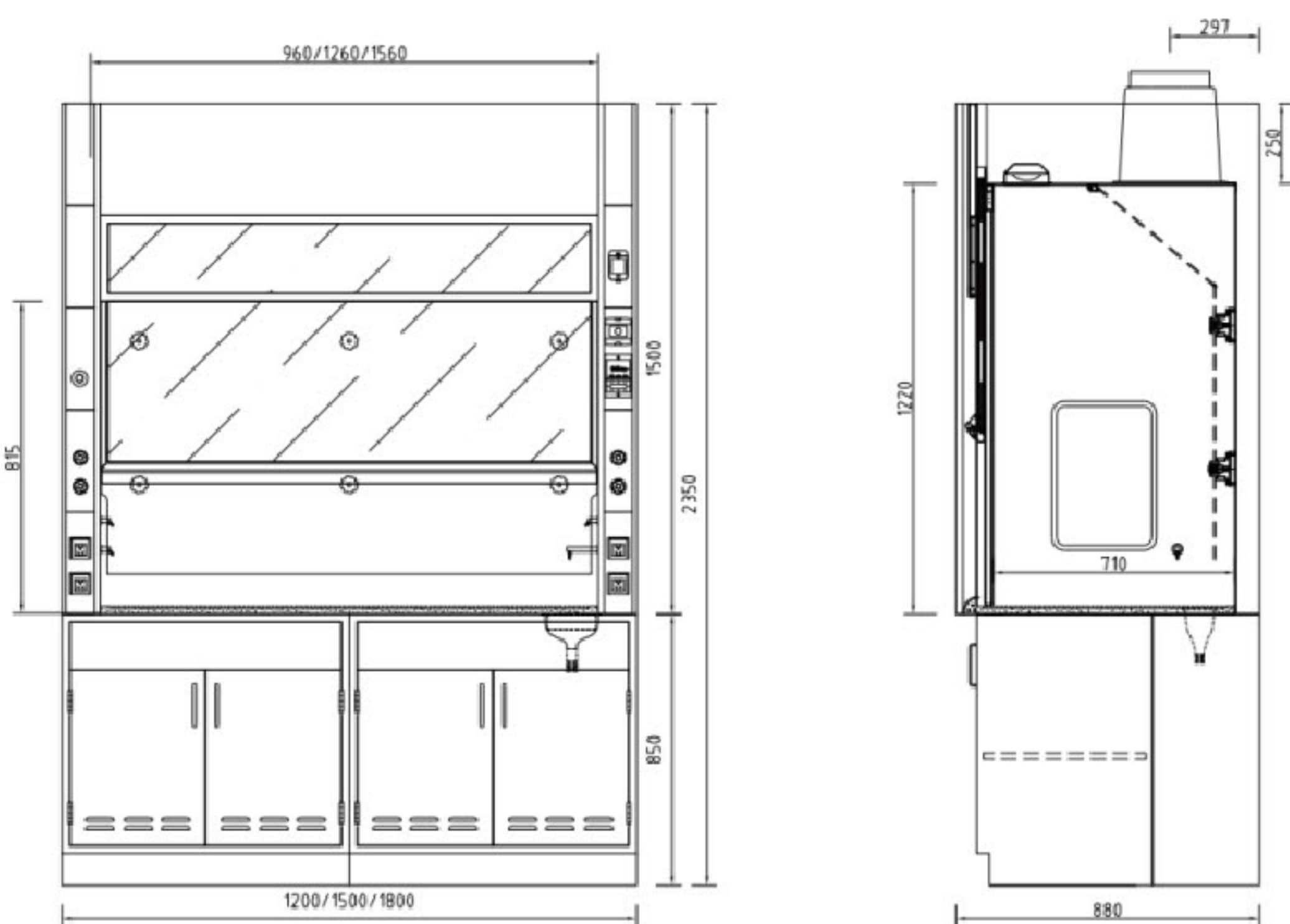
Ergonomically designed sash handle bar.

Wide range of accessories and options, such as automatic motorized sash drive, fume cupboard control.

The height of the gas collecting hood increased, and the exhaust effect is better.

The sash timing belt is a fine gear, which is smoother and quieter.

The sash frame is made of aluminum alloy, which is lightweight.



Optional Fitting

- Horizontally sliding sash
- Integrated control panel
- Gas valve/outlet
- Water valve/outlet
- Blower; PP Duct.

Technical Data

Model	[SS SERIES] SS-W1200/SS-W1500/SS-W1800
Width [mm]	1200/1500/1800
Depth [mm]	880
Height [mm]	2350
Inner width [mm]	956/1256/1556
Inner Depth [mm]	740
Inner Height [mm]	1180
Extract manifold Diameter [mm]	250/250/315
Lighting	LEDx2/LEDx2/LEDx2

Material

Main Materials	Stainless steel, 304/316
Worktop	Stainless steel, 304/316
Lining	Stainless steel, 304/316

Integration Solution

Electrical Supply	Power outlets on the exterior in the service panel
Water&Gas supply	Optional: air valve, water valve, PP Cup sink
Under Cabinet	Standard steel cabinet, safety cabinet, acid cabinet, etc.

Polypropylene Fume hood-PP Series

PP fume hoods are widely used in pharmaceutical production, food processing industry and various scientific research institutions, electronic and electrical production and new energy industries..

Features

Exhaust :When the fume hood sash moves downward, the min. position limit device shall be set.

Meanwhile, the base cabinet can be connected to the exhaust system if needed.

Face Velocity:When the opening height of the sash changes, the exhaust air volume also changes accordingly.

In the case of corresponding changes in the exhaust air volume, the face velocity should reach 0.5m/s.

Optimized contamination retention capacity with simultaneously low exhaust air flow rates.

Metallic construction enables columns with hollow spaces at the front - for easy maintenance and protection against air leakage.

Maintenance-friendly due to large inspection panel and easy to dismantle fitting.

Side service connections for easy tapping of water, gas, etc.

Exhaust air system for a full surface extraction over the worktop.

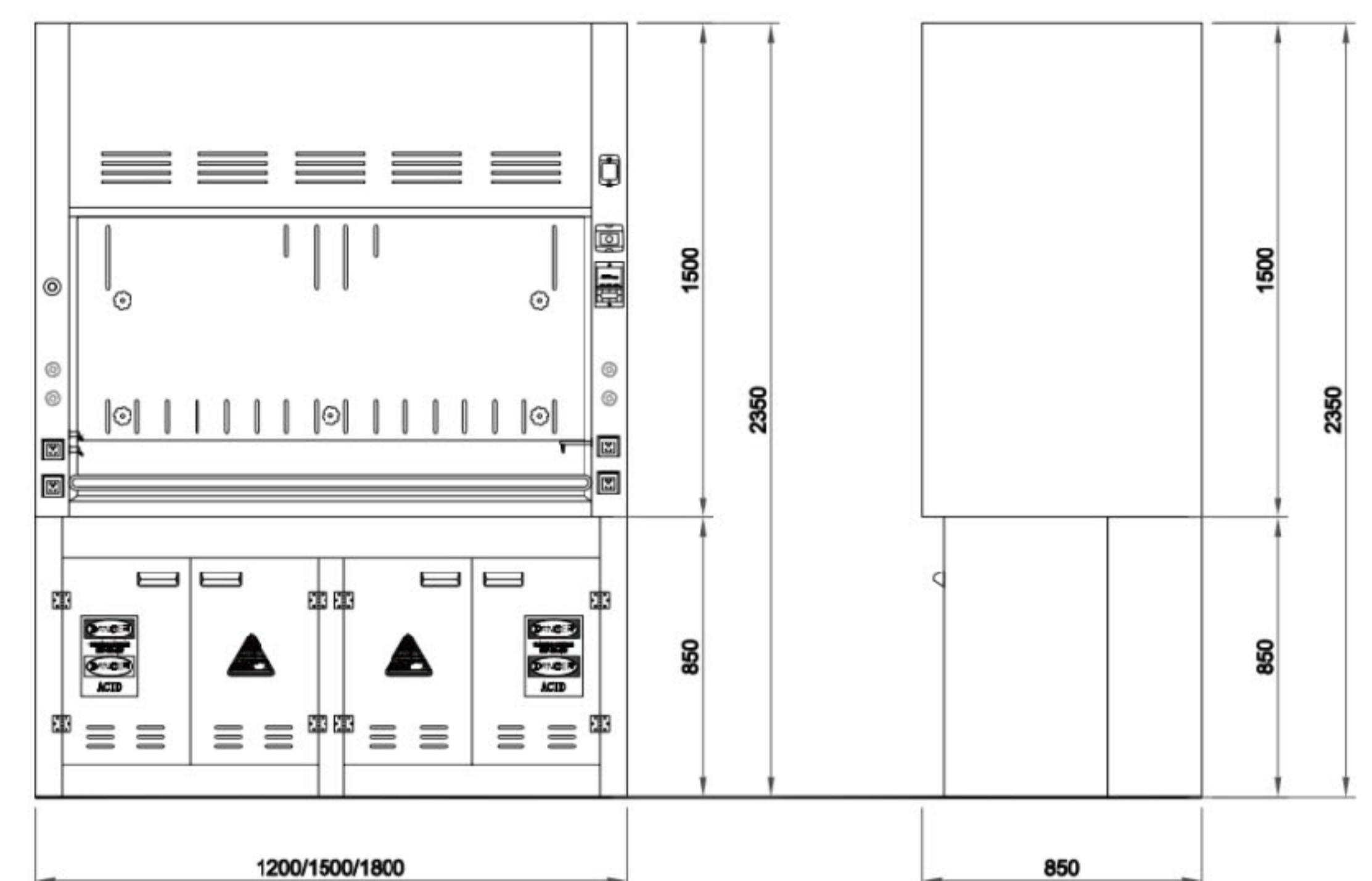
Ergonomically designed sash handle bar.

Wide range of accessories and options, such as automatic motorized sash drive, fume cupboard control.

The height of the gas collecting hood increased, and the exhaust effect is better.

The sash timing belt is a fine gear, which is smoother and quieter.

The sash frame is made of aluminum alloy, which is light weight.



Optional Fitting

- Horizontally sliding sash
- Water valve/outlet
- Integrated control panel
- Blower; PP Duct.
- Gas valve/outlet

Technical Data

Model	[PP SERIES] PP-W1200/PP-W1500/PP-W1800
Width [mm]	1200/1500/1800
Depth [mm]	880
Height [mm]	2350
Inner width [mm]	1000/1300/1600
Inner Depth [mm]	640
Inner Height [mm]	1100
Extract manifold Diameter [mm]	250/250/315
Lighting	LEDx1/LEDx1/LEDx1

Material

Main Materials	8mm thickness PP materials
Worktop	PP materials
Lining	PP materials

Integration Solution

Electrical Supply	Power outlets on the exterior in the service panel
Water&Gas supply	Optional: air valve, water valve, PP Cup sink
Under Cabinet	Standard steel cabinet, safety cabinet, acid cabinet,etc.

PP Fume hood with Water Scrubber-PPW Series



Base cabinet valve function selection

1. water inlet valve of pump When the water inlet valve of pump is in use, it is normally open and not allowed to close (except for the need to close when replacing the pump).

2. water inlet valve of the water tank When the water inlet valve of the water tank is in use, the valve is normally open and not allowed to close (except for the need to close when replacing the float ball).

3. blow-down valve When the blow down valve is in use, it is normally closed and not allowed to be opened (except for the need to replace the absorbed liquid in the water tank and open when blow down).

4. small sink valve on the table Under the use of small sink valve on the table, the valve is normally closed and not allowed to be opened (except when cleaning the hanging cabinet of fume hood separately).

5. spraying valve of the upper cabinet When the spraying valve of the upper cabinet is in use, it is usually open and not allowed to be closed (except when the water tank drains).

The Water Tank of Base Cabinet

1. Reagent inlet: manually remove the white top cover, and pour the proportionally prepared absorption reagent into the water tank. Just put the lid back on.

2. Sampling tap: the sampling tap manually turns the handle of the tap, and immediately turn off after collecting the liquid sample.

Water Level of Water tank

1. work water level: Manually adjust the liquid level of the water tank to the working liquid level by adjusting the adjustment screw on the float ball, when the equipment power off.

2. Max water level: The circulating liquid will return to the water tank, and the liquid level will not exceed this level.

3. The lowest water level at the lowest liquid level, it is not allowed to start the circulating pump below this liquid level under any circumstances. Too low level will cause the impeller idling, burning the pump. Including in the sewage, closely observe the tank level, below this level should be immediately powered off.

Summarize usage pattern

1. Normal spray condition: Open valve 1/2/5 and close valve 3/4
2. Sewage discharge condition: Open valve 1/3 and close valve 2/4/5
3. Hanging cabinet cleaning (manual cleaning, no need to start the water pump) Open valve 1/2, 4/5, close valve 3



Notes of Installation and use

- 1: The equipment should be installed on a concrete foundation. Winter should pay attention to the bottom of the pool parts frost.
- 2: The tank at the bottom of this equipment has a liquid level observation window. Please check the absorption liquid level before use. The absorption liquid should be added during use.
3. The circulating water pump shall be started for 2-3 minutes before the fan is started. When the machine is stopped, the circulating water pump shall be stopped for 1-2 minutes before the fan is stopped
4. The PH value of the absorption solution should be checked regularly according to the usage, when it exceeds the standard. The absorbent in the bottom pool should be added or replaced.

Details

Dimension	1200/1500/1800mm(L)*1100mm(D)*2300mm(H)
Materials	Made of porcelain white PP, thickness of 8mm, acid and alkali, alkali corrosion
Worktop	PP material
Powder supply	AC220V±10%,50 / 60Hz With flushing system inside

Fume hood with PP Washing Tower

The PP spray tower, also known as the PP scrubber tower or acidification tower, is a device used for treating acidic and alkaline waste gases.

Working principle of the spray tower: The waste gas is introduced into the purification tower through a duct, passing through a packing layer where the gas and the absorbing liquid come into full contact, facilitating a gas-liquid two-phase absorption and neutralization reaction. After purification, the gas undergoes dehydration and demisting via a demisting plate before being discharged into the atmosphere by a fan. The treated gas meets local emission standards.

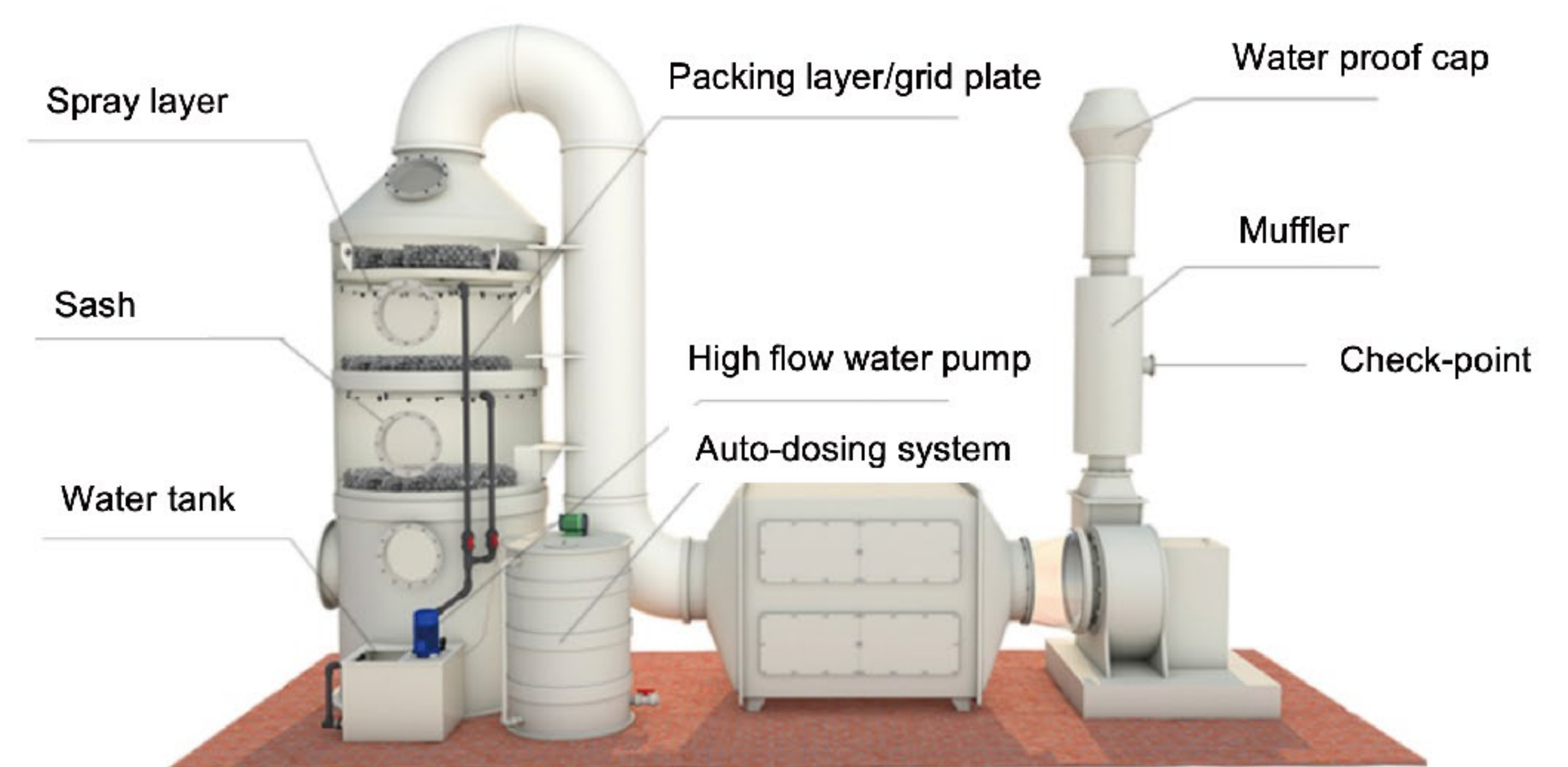
The spray tower is primarily suitable for treating smoke and sulfuric acid mist. Its internal structure mainly consists of spray heads and environmentally friendly packing materials, allowing the waste gas to fully interact with the surface water (washing liquid) flowing over the packing. This process adsorbs acidic or alkaline contaminants (and particulate matter) from the waste gas, and then separates the clean gas from the liquid containing pollutants, achieving the goal of purification.



1.High tech packing technology ensures purification efficiency. Low resistance loss, large specific surface area, complete chemical reaction, and fast speed.

2.Reasonable product design, corrosion and aging resistance. High absorption and purification rate, with a neutralization and removal effect of 95%.

3.Automated dosing device with low operating costs and easy maintenance.



Technical Data	Processing air volume (m ³)	Dimension	Materials
H2000	2000	Φ650*H2800mm	PP materials, UV resistant
H3000	3000	Φ800*H3500mm	PP materials, UV resistant
H4000	4000	Φ960*H3500mm	PP materials, UV resistant
H4500	4500	Φ960*H4000mm	PP materials, UV resistant
H5000	5000	Φ1000*H4500mm	PP materials, UV resistant
H6000	6000	Φ1200*H3500mm	PP materials, UV resistant
H7000	7000	Φ1200*H4500mm	PP materials, UV resistant
H8000	8000	Φ1300*H4200mm	PP materials, UV resistant
H9000	9000	Φ1400*H4200mm	PP materials, UV resistant
H10000	10000	Φ1500*H4500mm	PP materials, UV resistant
H12000	12000	Φ1700*H4500mm	PP materials, UV resistant
H15000	15000	Φ1800*H4500mm	PP materials, UV resistant
H18000	18000	Φ1900*H4500mm	PP materials, UV resistant
H20000	20000	Φ2000*H4500mm	PP materials, UV resistant
H25000	25000	Φ2200*H4500mm	PP materials, UV resistant
H30000	30000	Φ2500*H4500mm	PP materials, UV resistant

Ductless Fume hood-DFH Series



Product Features

1. Metal Parts:

Main material: ≥ 1.2 mm galvanized steel sheet
Epoxy resin electrostatic spray coating
Durable, chemical-resistant, lead-free coating
High gloss and minimal corrosion and moisture impact

2. Front and Side Panels:

Main material: ≥ 6 mm acrylic sheet
Excellent weather resistance and chemical resistance
Aging-resistant, colorless, transparent, and visually comfortable

3. Real-time Temperature and Humidity Monitoring System:

Displays temperature and humidity
Alarm parameter settings to ensure safe use

4. Fan Monitoring:

Fan system failure alarm
Adjustable fan speed to meet different chemical handling requirements

5. Filter Saturation Alarm System:

Equipped with dual filters and dual VOC sensors
One sensor monitors indoor air quality
The other sensor monitors filter saturation
Saturation alarm value setting, alerts when exceeded
If the concentration remains above the set value for an extended period, the filter needs to be replaced

6. PSC Fan from the USA:

24V voltage
Stable performance, ultra-quiet, no sparks or static electricity.

7. High-Efficiency Filtering System:

Arranges particles according to particle size, compliant with ASTM standards, highly effective against acidic and organic gases, with strong adsorption capacity.
Adopts a high-efficiency HEPA filter, achieving 99.995% filtration efficiency for particles larger than $0.3\mu\text{m}$.

8. LED Lighting:

Power equivalent to 25W fluorescent lamp
Generates no heat, safe, and does not affect lab temperature
Energy-saving, environmentally friendly, and long lifespan

9. Epoxy Resin Countertop:

Excellent chemical stability and corrosion resistance
High impact resistance, high-temperature performance
Durable, does not delaminate, expand, or crack

Model	HM-DS800	HM-DS1000
Outer size W*D*H (mm)	800*620*1245mm	1000*620*1245mm
Inner size W*D*H (mm)	781*574*934	981*574*934
Air handling capacity	230m ³ /h	230m ³ /h
Voltage	110-240V	110-240V
Frequency	50-60Hz	50-60Hz
Power	42W	42W
Maximum current	2A	2A
Volume	40-52dBA	40-52dBA
Control System	1set	1set
VOC Alarm System	2set	2set
Temperature & humidity alarm system	1set	1set
Remote monitoring system	1set	1set
Under cabinet details	800*550*825	1000*550*825

Software Control Section

1.7-Inch Large Screen Display:

IoT smart HMI interface
Resolution: 1024x600, perfect visual system

2. Supports SIM Card 4G Communication:

4G communication module with national mandatory product certification

3. Chemical Management:

Supports a list of no less than 100 chemicals
List includes serial number, chemical name, quantity, unit, etc.
Add, delete, modify the list on the device
Data synchronized to the cloud server
View current chemical list via WeChat

4. Remote Management via WeChat:

View historical VOC data and temperature/humidity data in graphs
View historical alarm records
Remote control of fan, lighting, and alarm lights

5. API Interface Available, supports third-party platform integration

6. Software Control System is tested by the China Software Testing Center

Advantages

1.No Duct Installation Required:

Easy installation, no exhaust emissions, environmentally friendly

2.Optional Top Filter Module System:

Meets various experimental needs

3.Advanced Modular Filtering Technology:

Fully adsorbs and filters harmful gases and particulate dust

4.Energy Efficient:

No air conditioning energy consumption, highly energy saving

5.Flexible Placement:

Can be placed on a desktop or equipped with mobile wheels
Suitable for any complex experimental location

Optional

- Optional filters:OG,AG,AM,FO,HEPA
- Optional alarms:HCL,Formaldehyde alarm

HM-DM1275	HM-DM1600	HM-DL1600
1275*620*1245mm	1600*620*1245mm	1600*620*1245mm
1256*574*934	1581*574*934	1581*574*934
690m ³ /h	690m ³ /h	690m ³ /h
110-240V	110-240V	110-240V
50-60Hz	50-60Hz	50-60Hz
42W	42W	42W
2A	2A	2A
40-52dBA	40-52dBA	40-52dBA
1set	1set	1set
2set	2set	2set
1set	1set	1set
1set	1set	1set
635*550*825(2unit)	800*550*825(2unit)	800*720*825(2unit)



LABORATORY FURNITURE

Lab Furniture Product Line

A steel lab bench is a durable workspace typically used in laboratories for various scientific and research applications. Available in multiple shapes and sizes to fit different laboratory layouts. It often includes features like worktops, base cabinet, reagent shelves, and function column for storing tools and equipment.

HAMECC's heavy-gauge steel laboratory bench is designed to SEFA 8M-2020 performance standards and built to rigorous benchmarks. The configurable design provides a rich offering of hardware and aesthetic options.

Features

The fixed floor-mounted workbench is designed to serve laboratories with specific requirements. It is compact and simple, consisting of a bottom cabinet and a workbench worktop. The installation is permanently fixed together through connectors. Steel structures have the characteristics of strong load-bearing capacity, durability, and sturdiness.

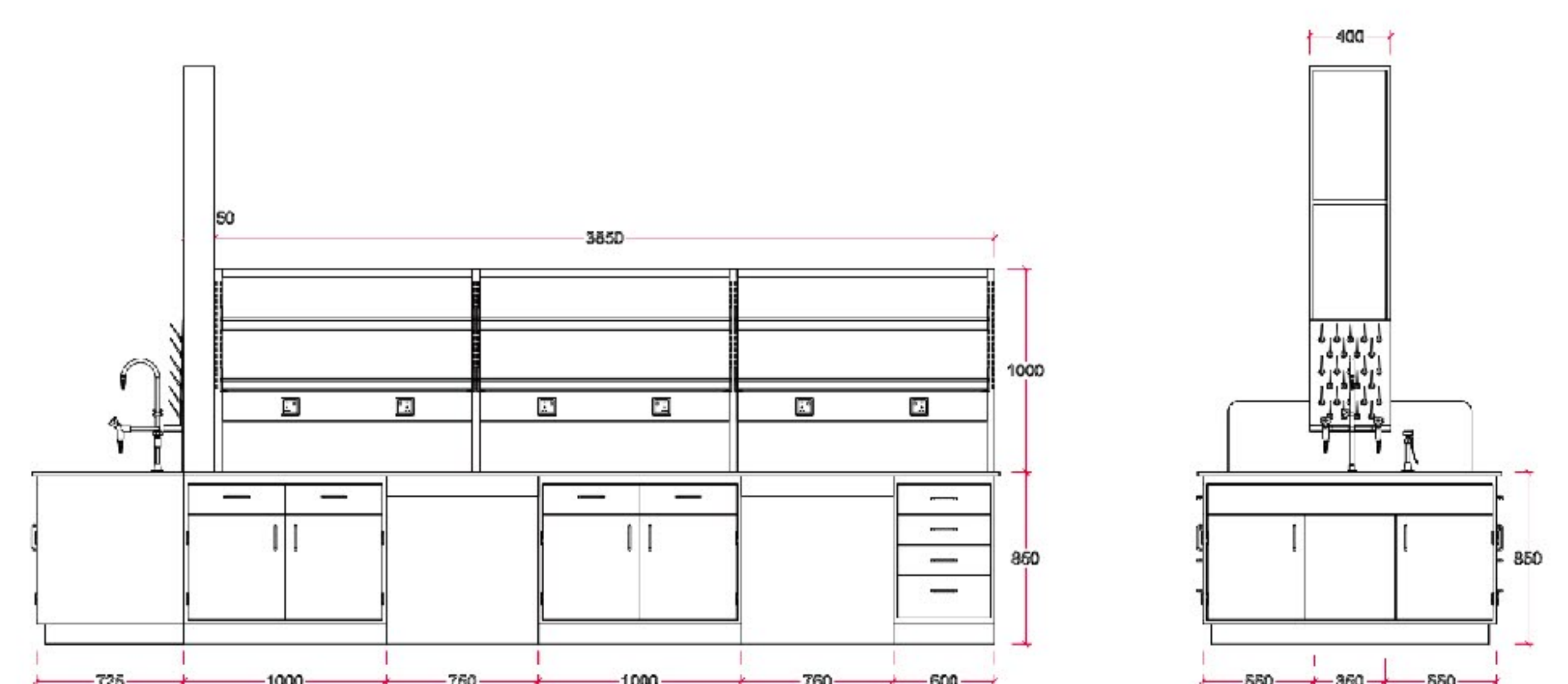
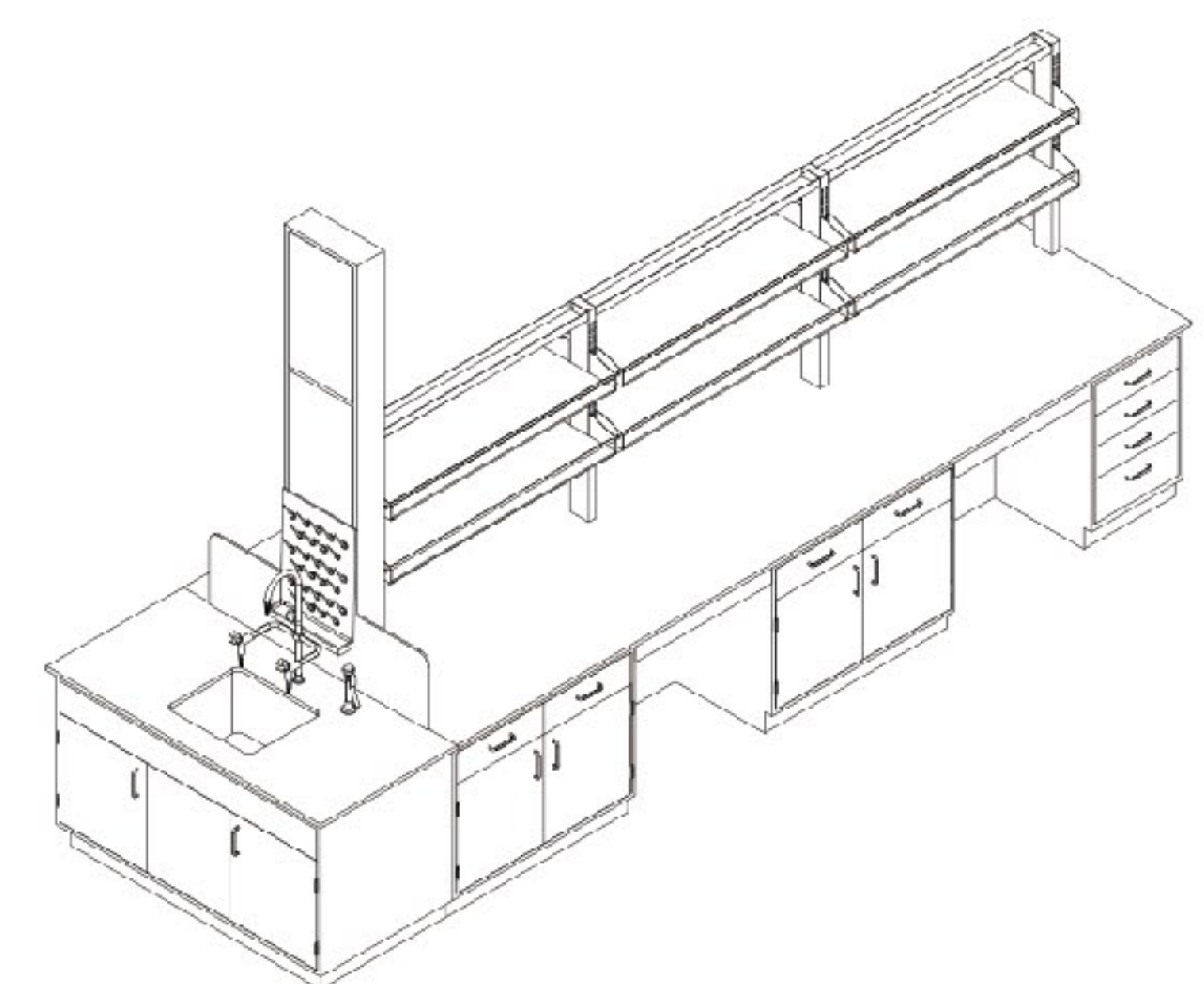
The main body is made of cold-rolled steel plate with a thickness of not less than 1.0mm, and the surface is coating with SEFA grade epoxy resin, which has superior corrosion resistance. The fixed floor-mounted cabinet workbench is mainly composed of storage cabinets and drawers. The lower cabinet has a large amount of storage space and is equipped with adjustable shelves.

The slide rail and hinge are made of industrial grade products with superior performance. Accessories such as sinks and faucets can be installed in designated positions on the experimental bench according to customer requirements.

The instrument table is equipped with a function box on the back, which can provide hidden installation of power and gas, freeing up table space and enhancing aesthetics.

Integration Solutions: It can integrate small laboratory instruments and equipment such as waste liquid collection, waste solid collection, vacuum equipment, cooling circulation equipment, refrigerators, bottle washing machines, etc.

Functional column module: It can convert the water, electricity, gas (non flammable and explosive gases), network and other pipelines required for experimental processes from the main system pipeline to the end functional point, and achieve bidirectional fast docking function, facilitating later laboratory layout adjustments.



Material

Structure: Full Steel Floor-Mounted

Material: High-quality cold-rolled steel plate

Steel thickness: 1.2mm

Coating: Epoxy resin powder coating, with the characteristics of anti-chemical, moisture-proof, high temperature resistance and durable.

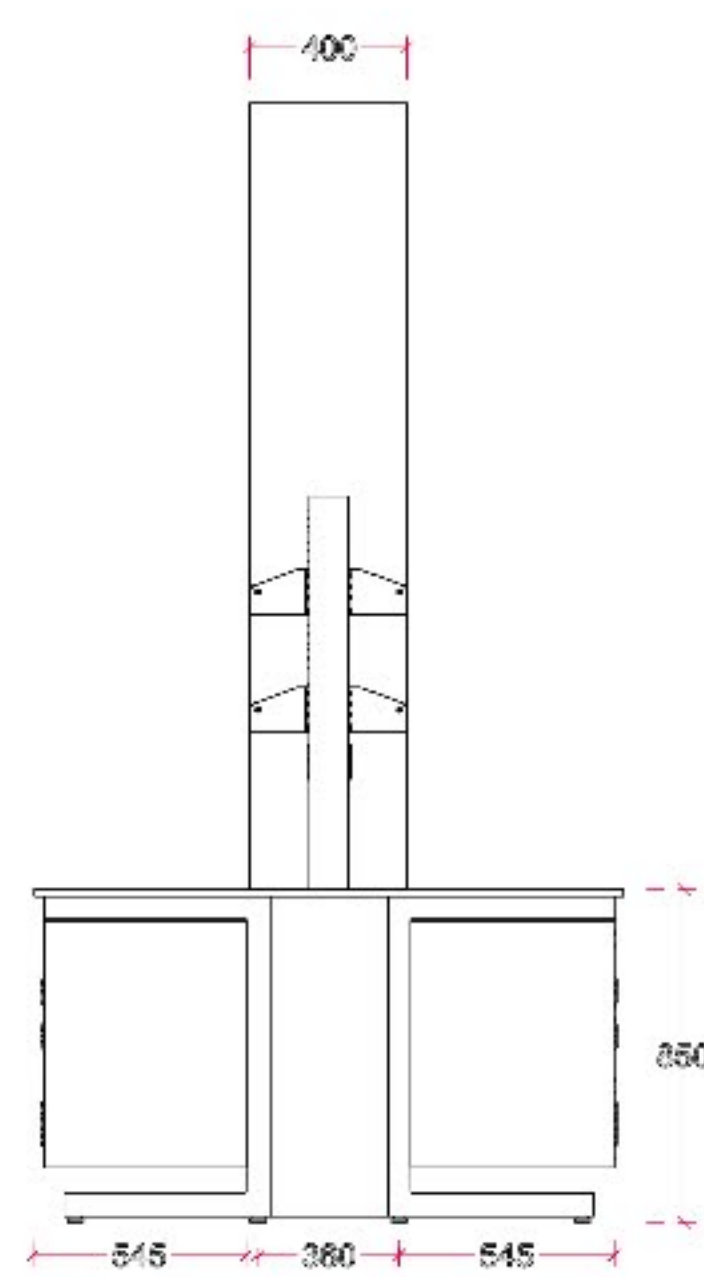
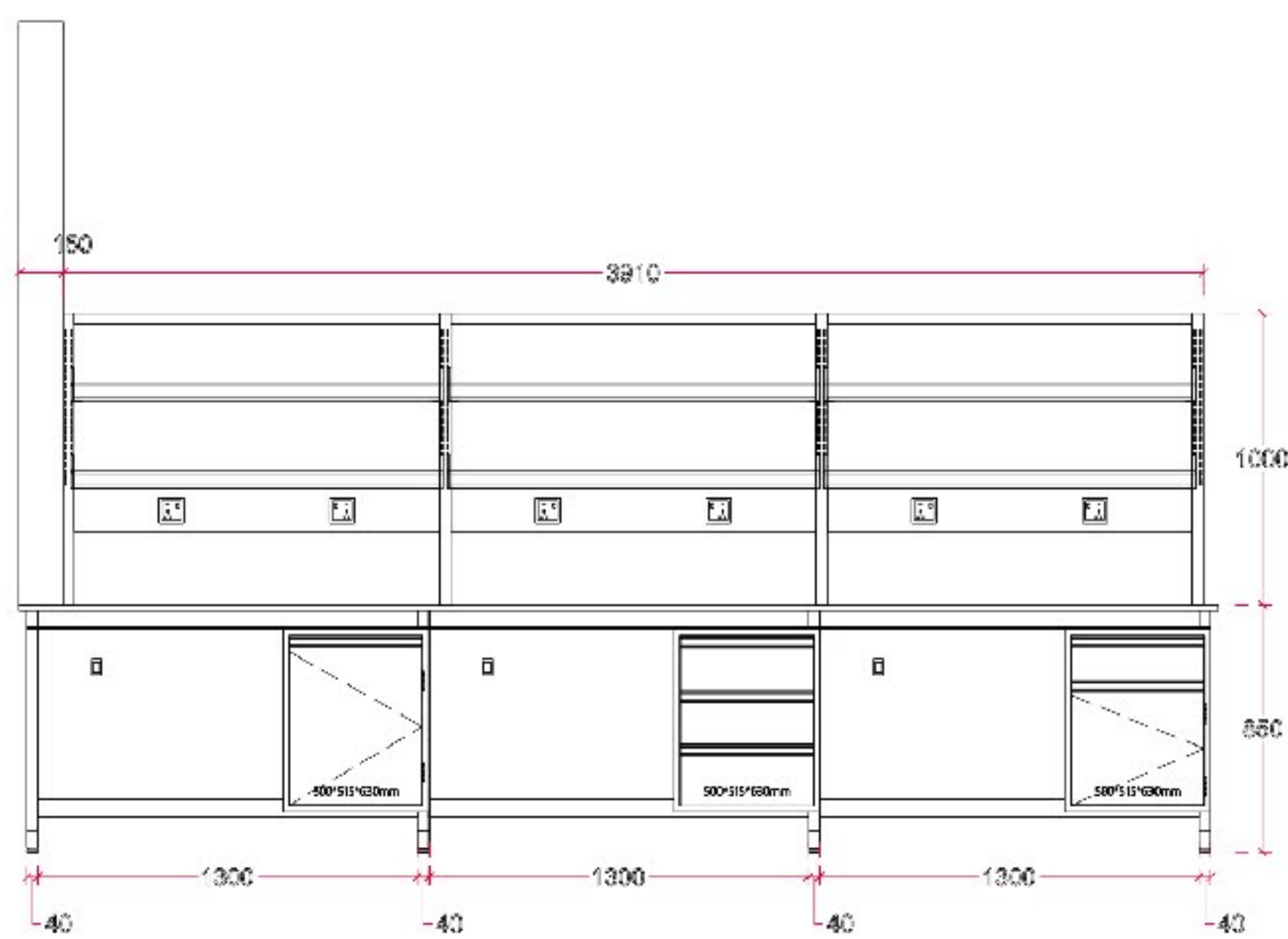
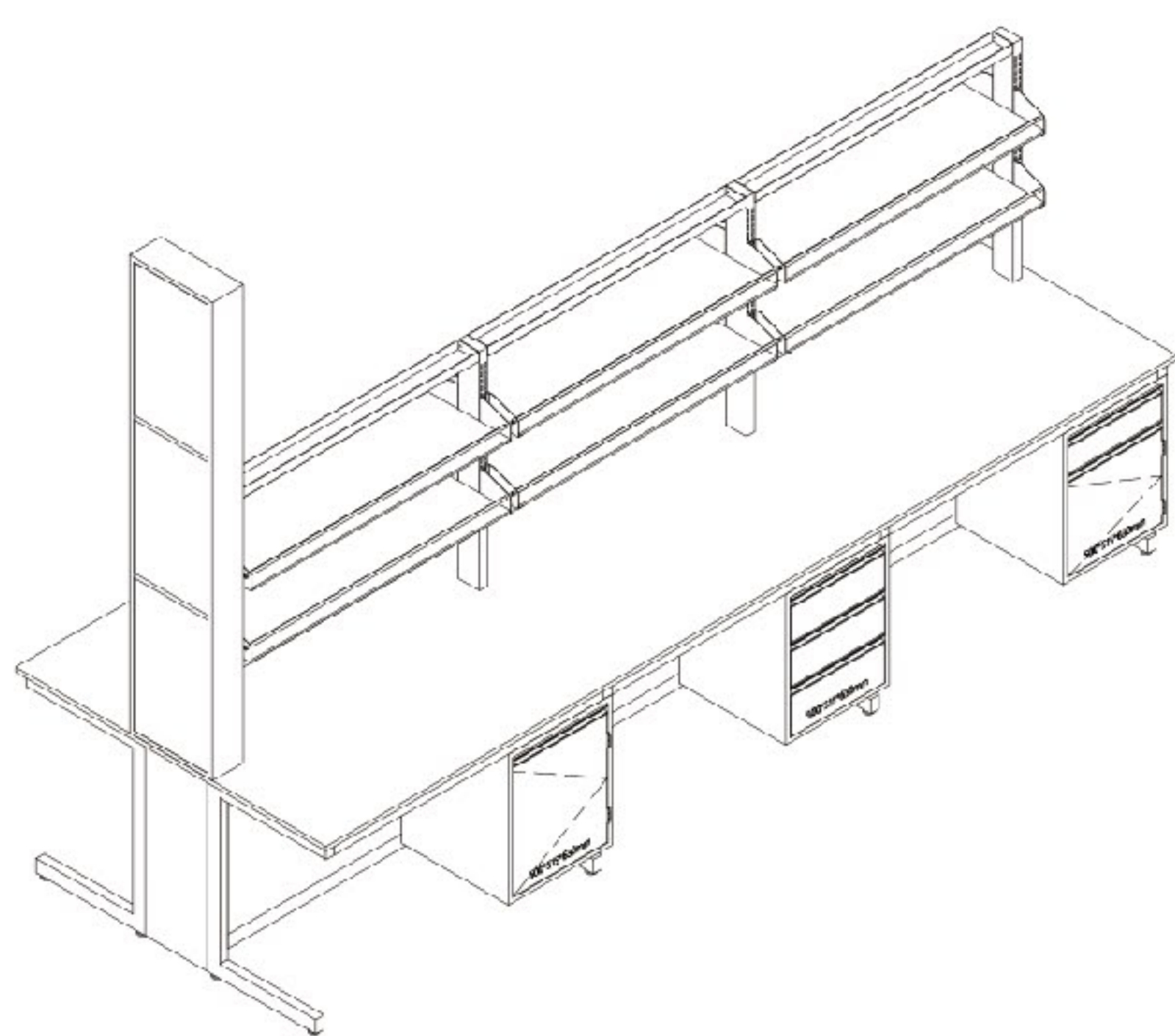
Standard SEFA8M-2020

Customizable Options

- Base cabinet style and dimension
- Worktop materials
- Sink, faucet and other accessories
- Reagent shelf style

Technical Data	
Dimension	L*D750/1500*H850mm
Structure	Full steel structure with epoxy powder coating
Worktop	Phenolic resin, Trespa, epoxy resin, ceramic, etc.
Reagent shelf module	Can provide as per Customer Demand
Hanging Cabinet module	Can install hanging cabinets on top of reagent shelf module
Integration Solution	
Electrical Supply	Power outlets on the exterior in the service panel
Water&Gas supply	Optional: air cock, water cock
Cabinet	Standard steel cabinet, safety cabinet, acid cabinet, waste liquid collection cabinet, etc
PVC skirting line	Can provide as per Customer Demand

Workbench with C-Frame



Features

C- frame with suspended cabinets. C Frame and workbench top are fixed together, and the lower cabinet is suspended on a steel frame. They provide users with a large amount of knee and legroom with mobile and suspended underbench units.

The main body is made of cold-rolled steel plate with a thickness of not less than 1.0mm, and the surface is coating with SEFA grade epoxy resin, which has superior corrosion resistance. The fixed floor-mounted cabinet workbench is mainly composed of storage cabinets and drawers. The lower cabinet has a large amount of storage space and is equipped with adjustable shelves.

The slide rail and hinge are made of industrial grade products with superior performance. Accessories such as sinks and faucets can be installed in designated positions on the experimental bench according to customer requirements.

The instrument table is equipped with a function box on the back, which can provide hidden installation of power and gas, freeing up table space and enhancing aesthetics.

Integration Solutions: It can integrate small laboratory instruments and equipment such as waste liquid collection, waste solid collection, vacuum equipment, cooling circulation equipment, refrigerators, bottle washing machines, etc.

Functional column module: It can convert the water, electricity, gas (non flammable and explosive gases), network and other pipelines required for experimental processes from the main system pipeline to the end functional point, and achieve bidirectional fast docking function, facilitating later laboratory layout adjustments.

Material

Structure: C-Frame

Leg: 40*60*2mm; strong flexibility, can be adjusted as well

Frame Material: Sturdy, corrosion-resistant cold-rolled steel.

Steel plate thickness: 1.2mm

Coating: Epoxy resin powder coating, with the characteristics of anti-chemical, moisture-proof, high temperature resistance and durable.

Standard SEFA8M-2020

Customizable Options

- Base cabinet style and dimension
- Worktop materials
- Sink, faucet and other accessories
- Reagent shelf style

Technical Data

Dimension	L1200/1500/1800*D750/1500*H850mm
Structure	Full steel C-Frame structure
Workop	Phenolic resin, Trespa, epoxy resin, ceramic, etc.
Reagent shelf module	Can provide as per Customer Demand
Under Bench Cabinet	Suspended under cabinet/ Mobile cabinets
Hanging Cabinet module	Can install hanging cabinets on top of reagent shelf module

Integration Solution

Electrical Supply	Power outlets on the exterior in the service panel
Water&Gas supply	Optional: air cock, water cock
Cabinet	Standard steel cabinet, safety cabinet, acid cabinet, waste liquid collection cabinet, etc
PVC skirting line	Can provide as per Customer Demand

Features

H-frame is fixed together with the worktop, with an independent mobile cabinet. The storage cabinet is equipped with movable casters at the bottom that can be moved freely. It is placed under the frame and can be replaced and adjusted in position with each other. Suitable for lab workbench that can be adjusted in a timely manner according to the needs of the experimental project, to meet further adjustment requirements.

The main frame is made of high-quality steel pipes and coated with SEFA grade epoxy resin on the surface, with superior corrosion resistance.

The workbench frame can also be equipped with movable casters to be a movable workbench. This type of workbench is more flexible, and users can create and change their own laboratory space according to their needs.

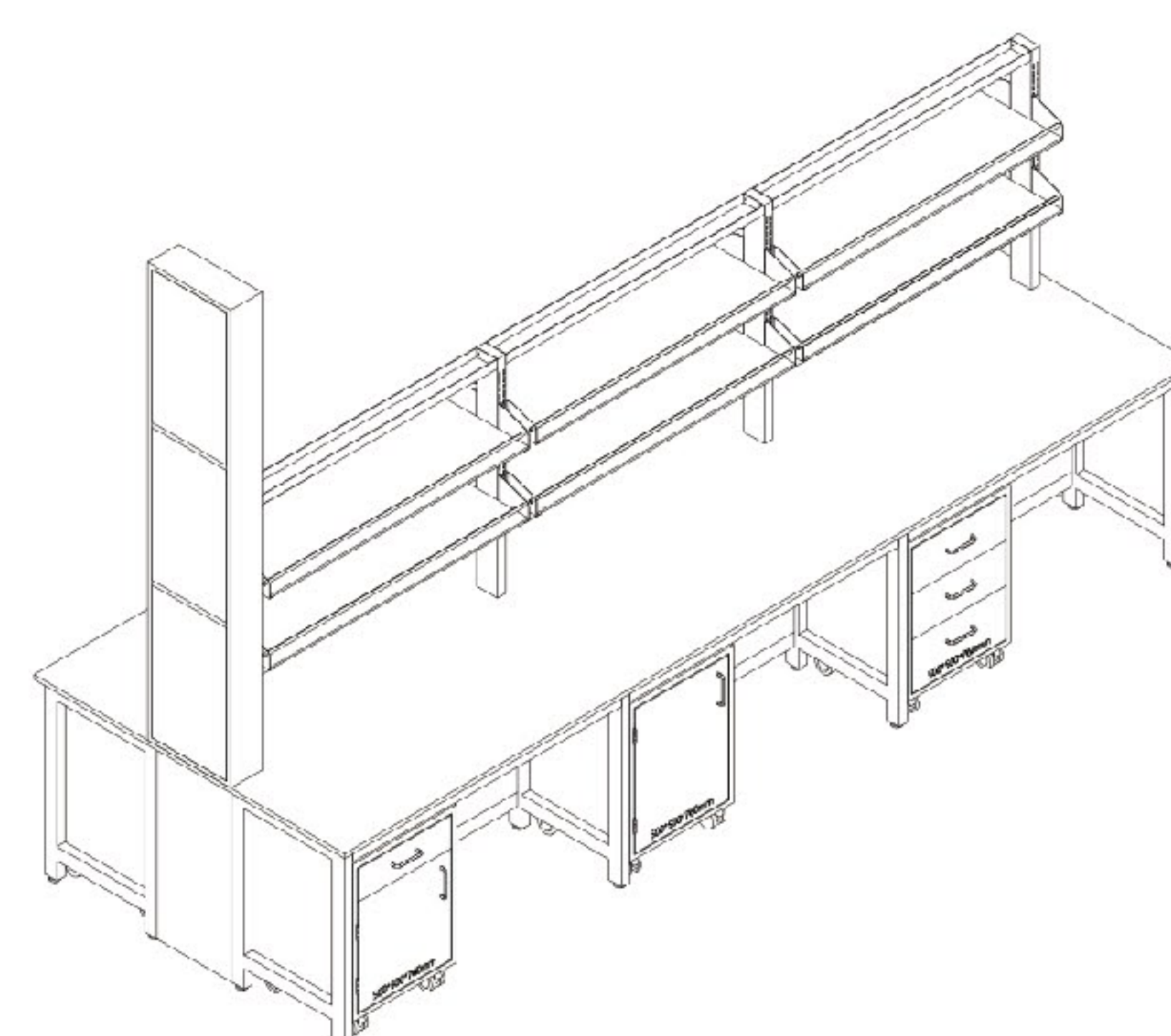
The main body is made of cold-rolled steel plate with a thickness of not less than 1.0mm, and the surface is coated with SEFA grade epoxy resin, which has superior corrosion resistance. The fixed floor-mounted cabinet workbench is mainly composed of storage cabinets and drawers. The lower cabinet has a large amount of storage space and is equipped with adjustable shelves.

The slide rail and hinge are made of industrial grade products with superior performance. Accessories such as sinks and faucets can be installed in designated positions on the experimental bench according to customer requirements.

The instrument table is equipped with a function box on the back, which can provide hidden installation of power and gas, freeing up table space and enhancing aesthetics.

Integration Solutions: It can integrate small laboratory instruments and equipment such as waste liquid collection, waste solid collection, vacuum equipment, cooling circulation equipment, refrigerators, bottle washing machines, etc.

Functional column module: It can convert the water, electricity, gas (non flammable and explosive gases), network and other pipelines required for experimental processes from the main system pipeline to the end functional point, and achieve bidirectional fast docking function, facilitating later laboratory layout adjustments.



Material

Structure: H-Frame+Movable Cabinet

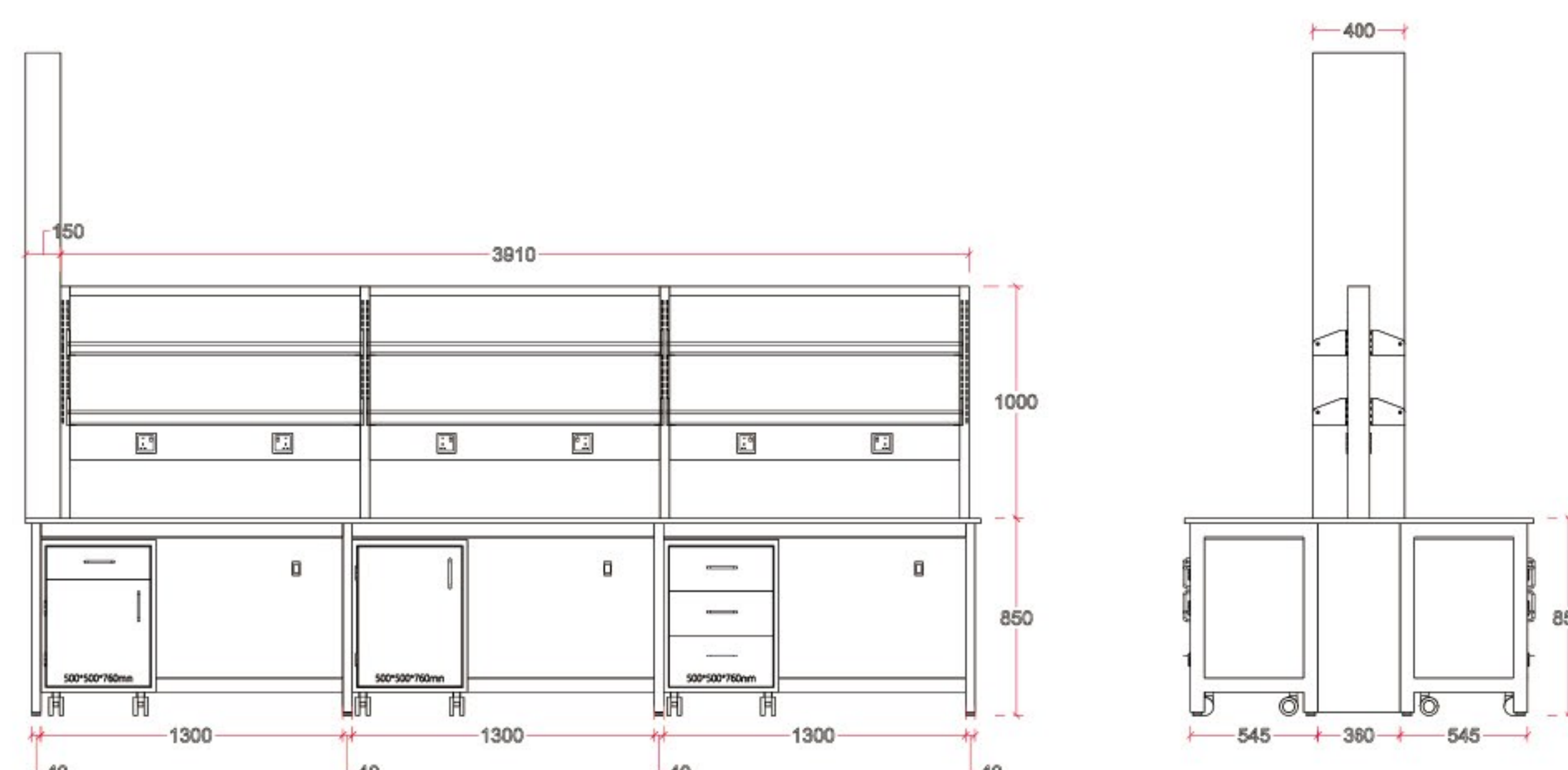
Leg: 40*60*2mm; strong flexibility, can be adjusted as well

Material: High-quality cold-rolled steel plate

Steel plate thickness: 1.2mm

Coating: Epoxy resin powder coating, with the characteristics of anti-chemical, moisture-proof, high temperature resistance and durable.

Standard SEFA8M-2020



Customizable Options

- Base cabinet dimension
- Sink, faucet and other accessories
- Worktop materials
- Adjustable casters
- Reagent shelf style

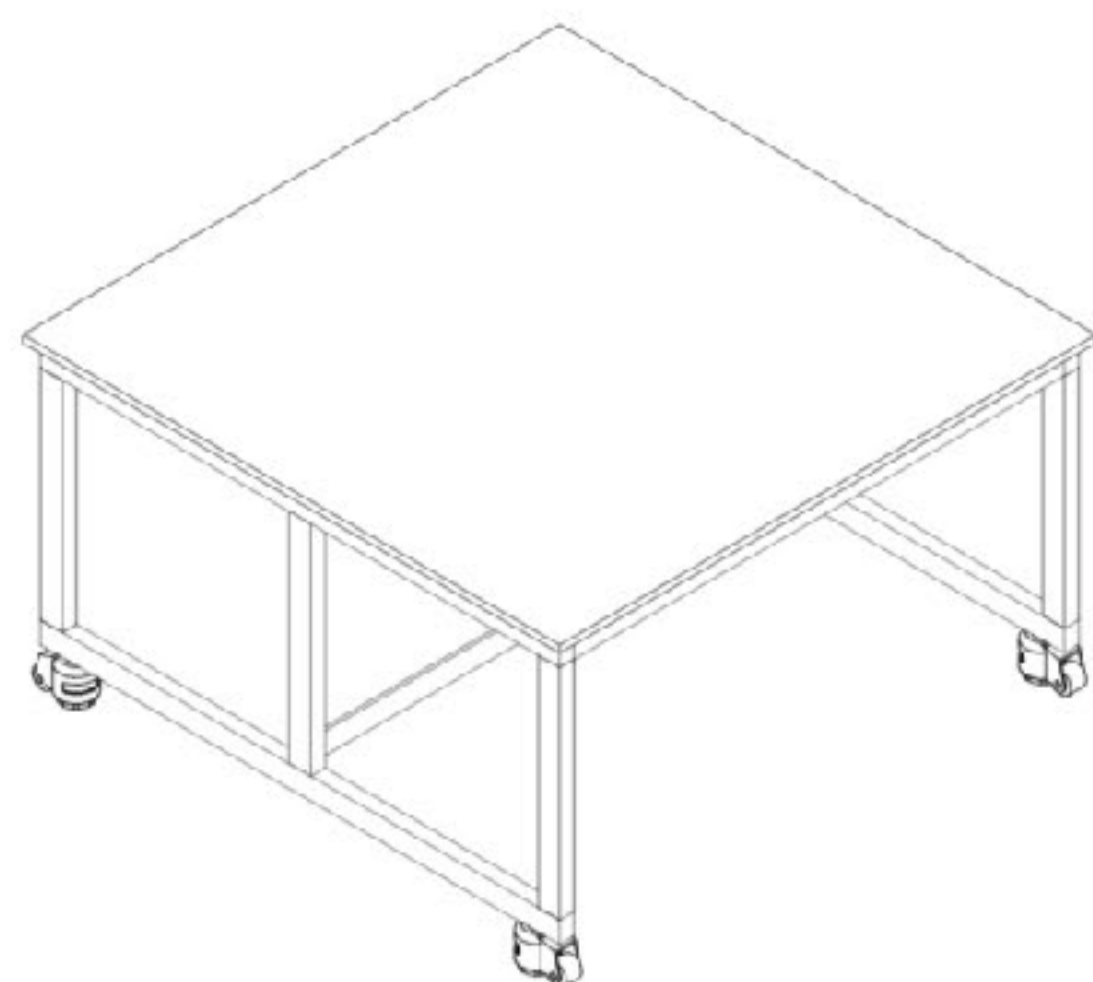
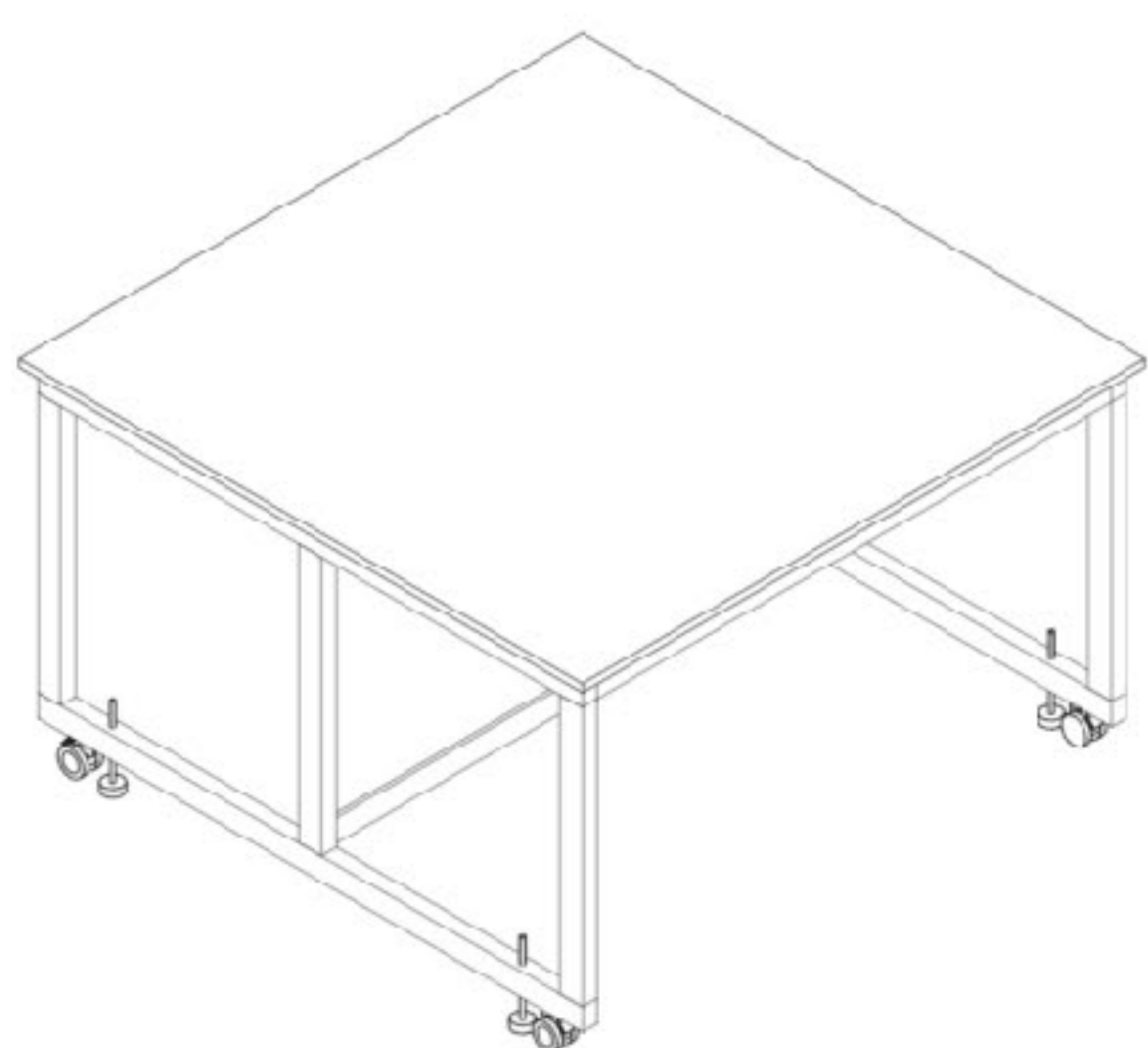
Technical Data

Dimension	L1200/1500/1800*D750/1500*H850mm
Structure	Full steel H-Frame structure
Worktop	Phenolic resin, Trespa, epoxy resin, ceramic, etc.
Reagent shelf module	Can provide as per Customer Demand
Under Bench Cabinet	Suspended under cabinet/ Mobile cabinets
Hanging Cabinet module	Can install hanging cabinets on top of reagent shelf module

Integration Solution

Electrical Supply	Power outlets on the exterior in the service panel
Water&Gas supply	Optional: air cock, water cock
Cabinet	Standard steel cabinet, safety cabinet, acid cabinet, waste liquid collection cabinet, etc
PVC skirting line	Can provide as per Customer Demand

Module/Mobile Workbench



Features

H-frame is fixed together with the worktop, with an independent mobile cabinet. The storage cabinet is equipped with movable casters at the bottom that can be moved freely. It is placed under the frame and can be replaced and adjusted in position with each other. Suitable for lab workbench that can be adjusted in a timely manner according to the needs of the experimental project, to meet further adjustment requirements.

The main frame is made of high-quality steel pipes and coated with SEFA grade epoxy resin on the surface, with superior corrosion resistance.

The workbench frame can also be equipped with movable casters to be a movable workbench. This type of workbench is more flexible, and users can create and change their own laboratory space according to their needs.

The main body is made of cold-rolled steel plate with a thickness of not less than 1.0mm, and the surface is coated with SEFA grade epoxy resin, which has superior corrosion resistance. The fixed floor-mounted cabinet workbench is mainly composed of storage cabinets and drawers. The lower cabinet has a large amount of storage space and is equipped with adjustable shelves.

The slide rail and hinge are made of industrial grade products with superior performance. Accessories such as sinks and faucets can be installed in designated positions on the experimental bench according to customer requirements.

The instrument table is equipped with a function box on the back, which can provide hidden installation of power and gas, freeing up table space and enhancing aesthetics.

Integration Solutions: It can integrate small laboratory instruments and equipment such as waste liquid collection, waste solid collection, vacuum equipment, cooling circulation equipment, refrigerators, bottle washing machines, etc.

Functional column module: It can convert the water, electricity, gas (non flammable and explosive gases), network and other pipelines required for experimental processes from the main system pipeline to the end functional point, and achieve bidirectional fast docking function, facilitating later laboratory layout adjustments.

Material

Structure: With movable wheels, free to move

Material: High-quality cold-rolled steel plate

Steel plate thickness: 1.2mm

Coating: Epoxy resin powder coating, with the characteristics of anti-chemical, moisture-proof, high temperature resistance and durable.

Caster: Universal load-bearing wheel OR Footmaster wheels

Standard SEFA8M-2020

Customizable Options

- Base cabinet dimension
- Worktop materials
- Caster style
- Reagent shelf style

Dimension	
Width [mm]	1500
Depth [mm]	750/1500
Height [mm]	850
Relevant Features	
Heavy-duty castors	4unit, 2 of which are lockable
Extendable Shelf	Optional
Under Cabinet	Optional

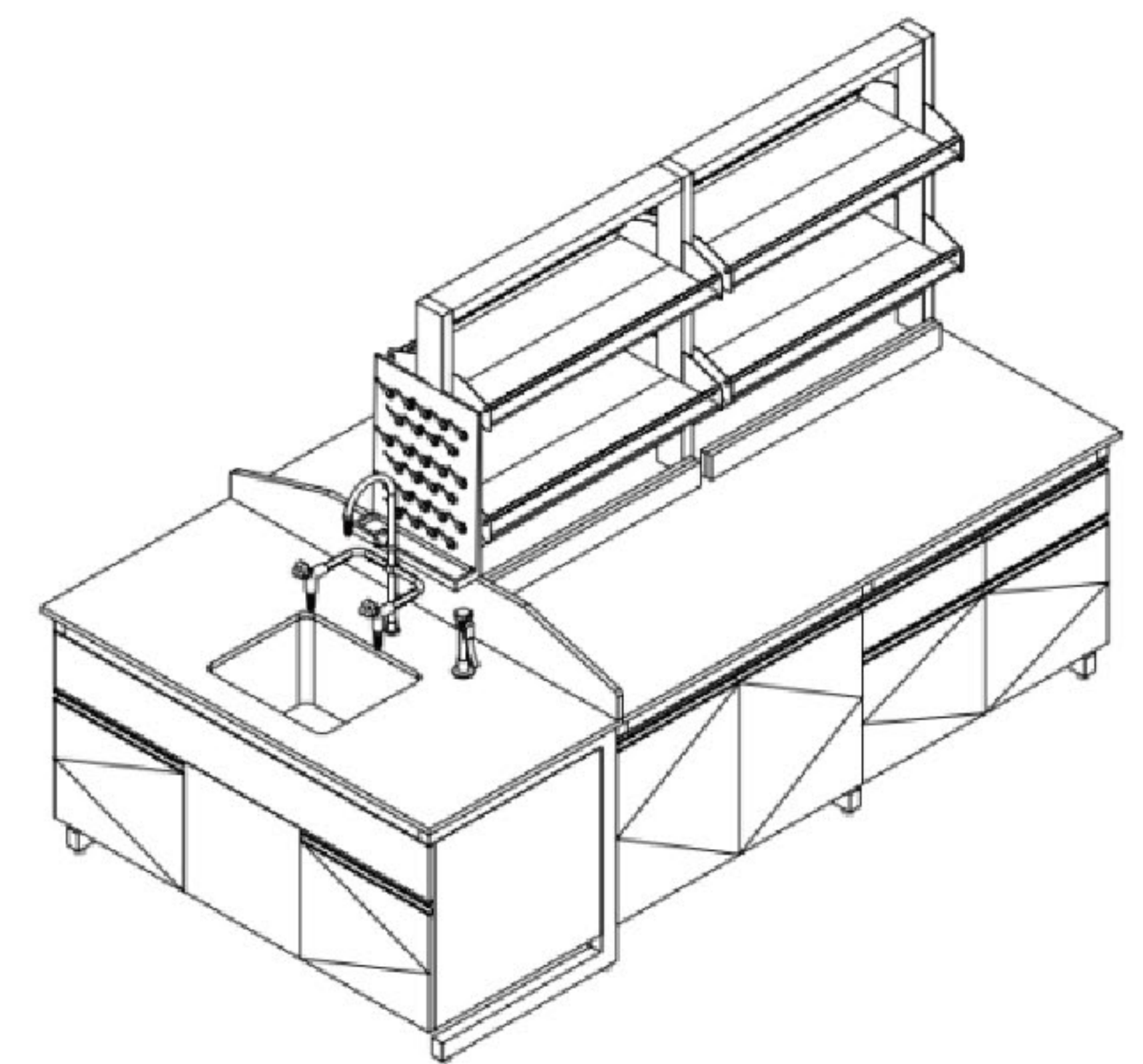
Features

- Without a vertical front leg to give a more knee space.
- Robust frame with adjustable leveling feet for stability.
- Suspended cabinets can be movable or fixed, and the material can be steel or wood.
- Improved Accessibility: The design enables access from all sides, reducing the need for users to navigate around corners or barriers. This can be especially beneficial in labs with limited space or where multiple pieces of equipment are used simultaneously.
- Aesthetic Appeal: C-shaped lab benches can offer a modern and professional look to laboratory spaces, appealing to both functionality and aesthetics.
- With the characteristics of anti-chemical, moisture-proof, high temperature resistance and durable
- Maximize storage space
- Strong stability and load bearing
- Sturdy and durable, long service life



Material

- Structure:** Full Steel Floor-Mounted
- Material:** High-quality Melamine Board
- Melamine thickness:** 18mm
- PVC edging in 2mm thickness
- Standard** SEFA8M-2020

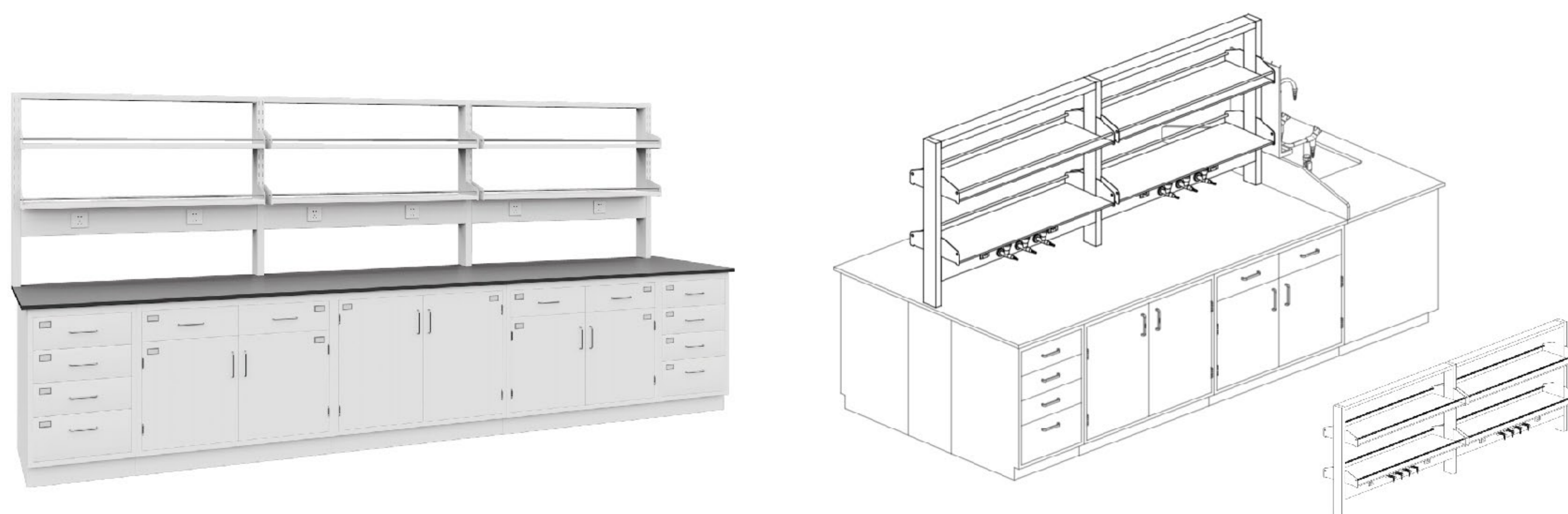


Customizable Options

- Base cabinet style and dimension
- Worktop materials
- Sink, faucet and other accessories
- Reagent shelf style

Dimension	
Width [mm]	600/900/1200/1500
Depth [mm]	650/750/900
Height [mm]	750/900
Reagent Shelf Dimension	
A-Style	(900~1800) * 400 * 1000(mm)
E-Style	(900~1500) * 400 * (750~800) (mm)
Suspended style	Special customization
Load capacity	
Full Steel Floor-Mounted [KG]	500KG/m ²

Module-M



Product Features

Beautiful and atmospheric, suitable for most laboratory benches

Material of reagent shelf

Glass shelf /Steel shelf

Dimension

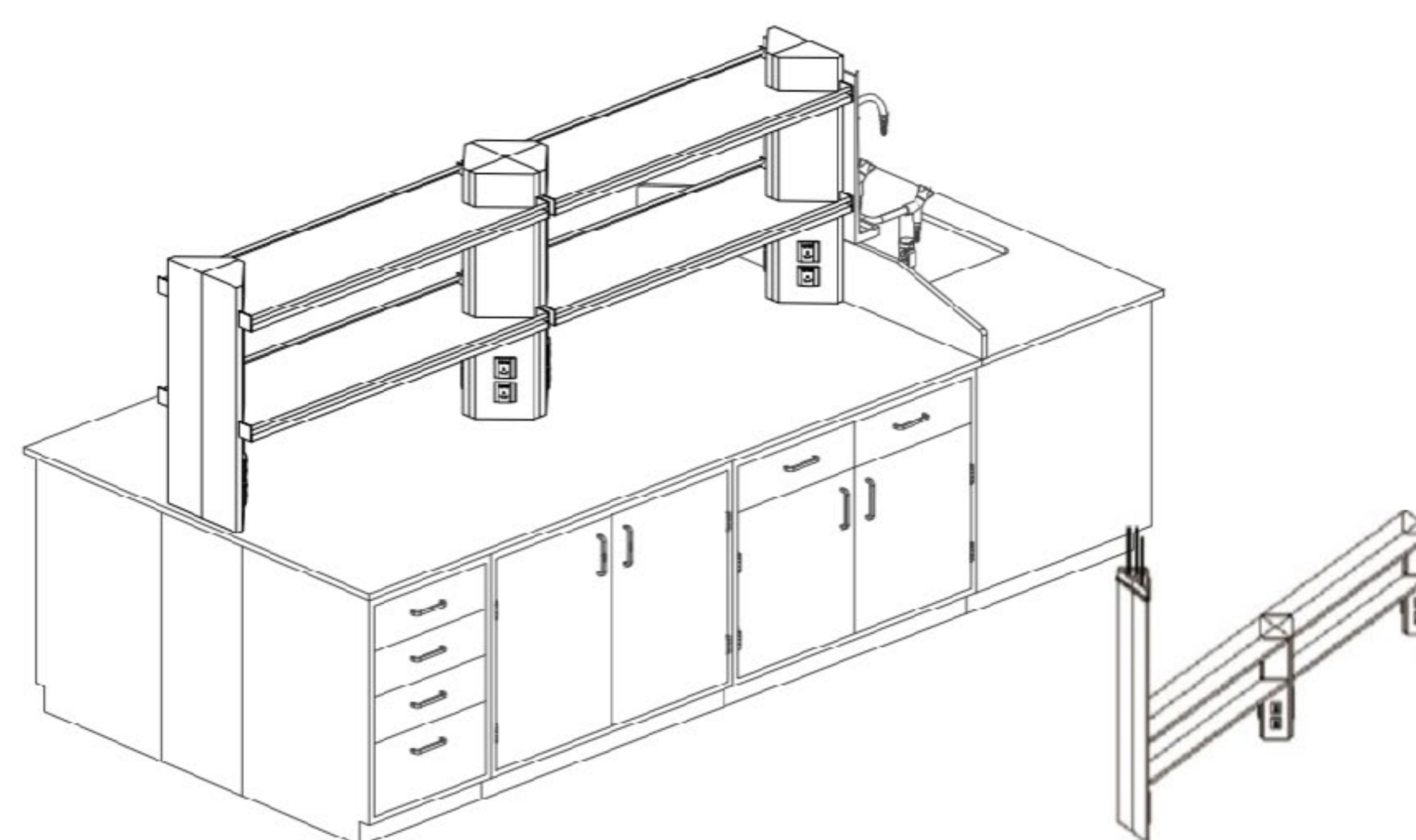
Central Workbench reagent shelf (900~1800) *400*1000(mm)

Side Workbench reagent shelf (900~1800) *200* (750~800) (mm)

Specification

150*200*Hmm/150*400*Hmm, the height depends on the height of the ceiling on site

Module-O



Product Features

Sockets, water and gas can be set in the reagent shelf

Material of reagent shelf

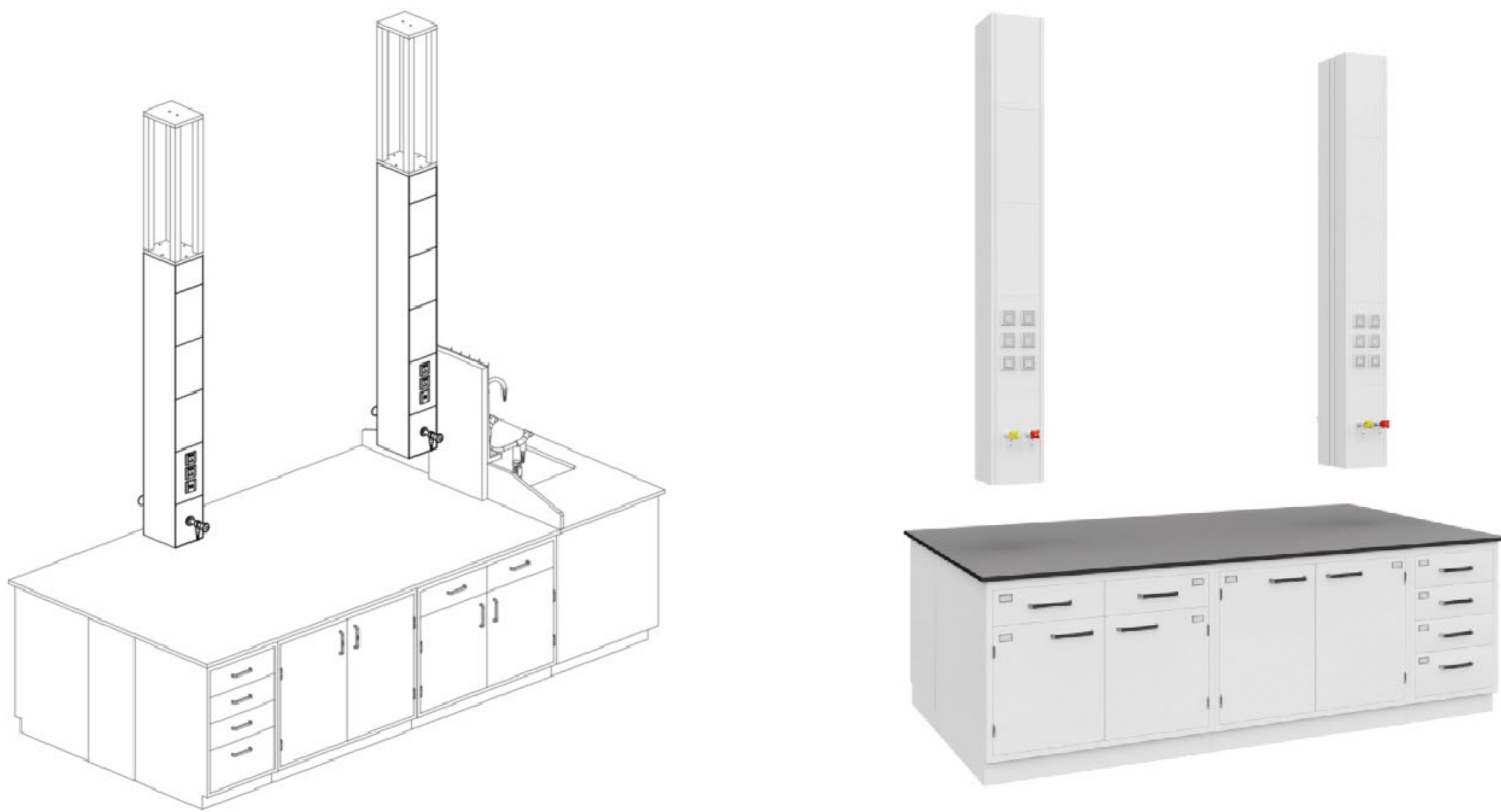
Glass shelf /Steel shelf

Dimension

Central Workbench reagent shelf (900~1500) *400*800(mm)

Side Workbench reagent shelf (900~1500) *200* (750~800) (mm)

Service Drop



Product Features

More modern design aesthetics, suitable for most laboratory benches

Installation mode

Flexible installation methods, integrating water, electricity, gas and other functional modules; accessories can be added according to user needs.

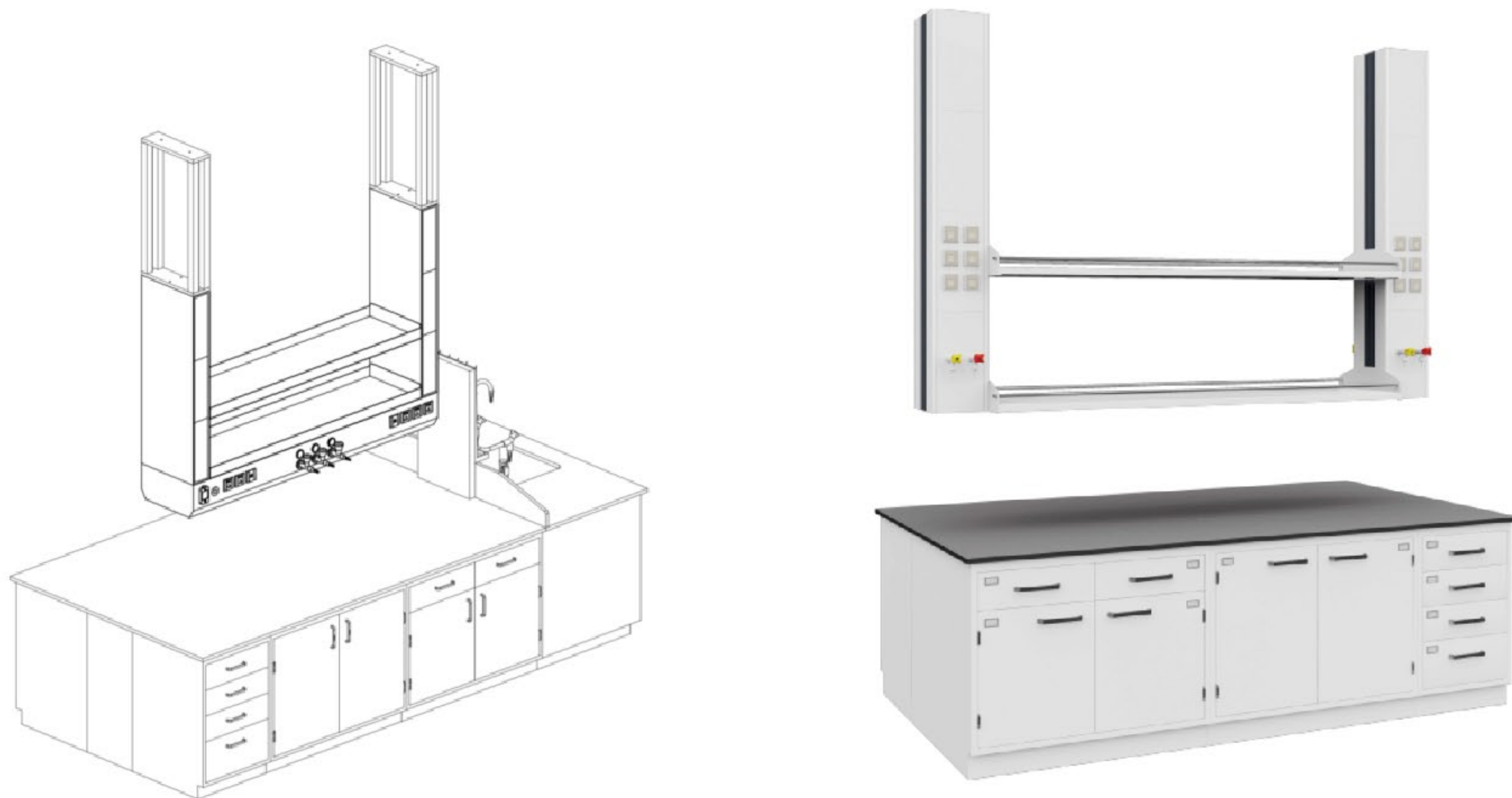
Dimension

Special customization

Specification

150*200*Hmm/150*400*Hmm, the height depends on the height of the ceiling on site

Service Drop



Product Features

More modern design aesthetics, suitable for most laboratory benches

Material

Steel/Aluminum

Material of reagent shelf

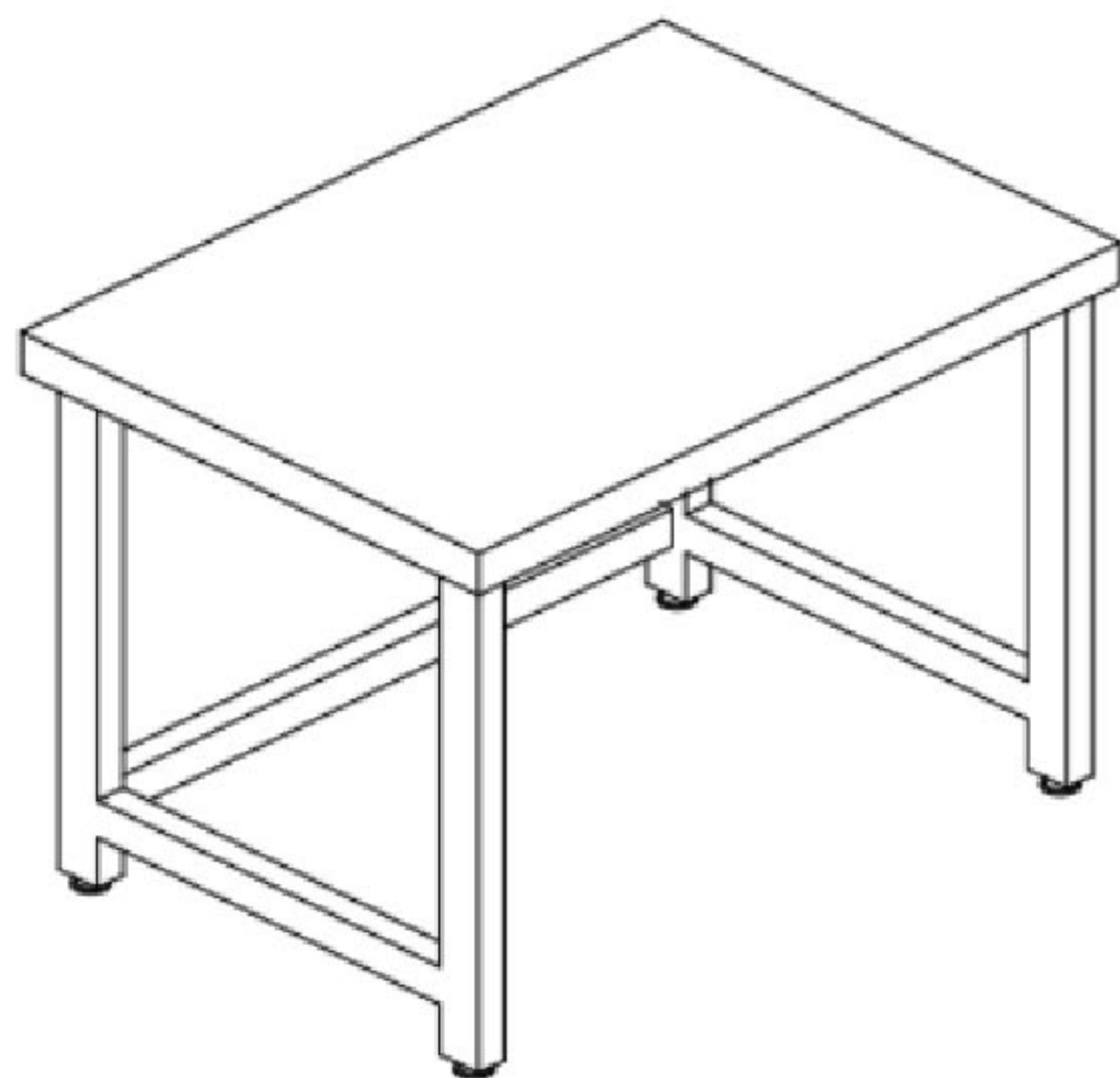
Glass shelf [KG]/Steel shelf [KG]

Dimension

Special customization

Balance Table

Model: HMTB-001



Specification

- 1.Size:** 900*600*850mm(W*D*H)
- 2.Worktop:** 50mm thickness black marble
- 3.Frame:** H-steel frame made in 40*60*2mm with Anti-vibration device.
- 4.With adjustable combination foot.**

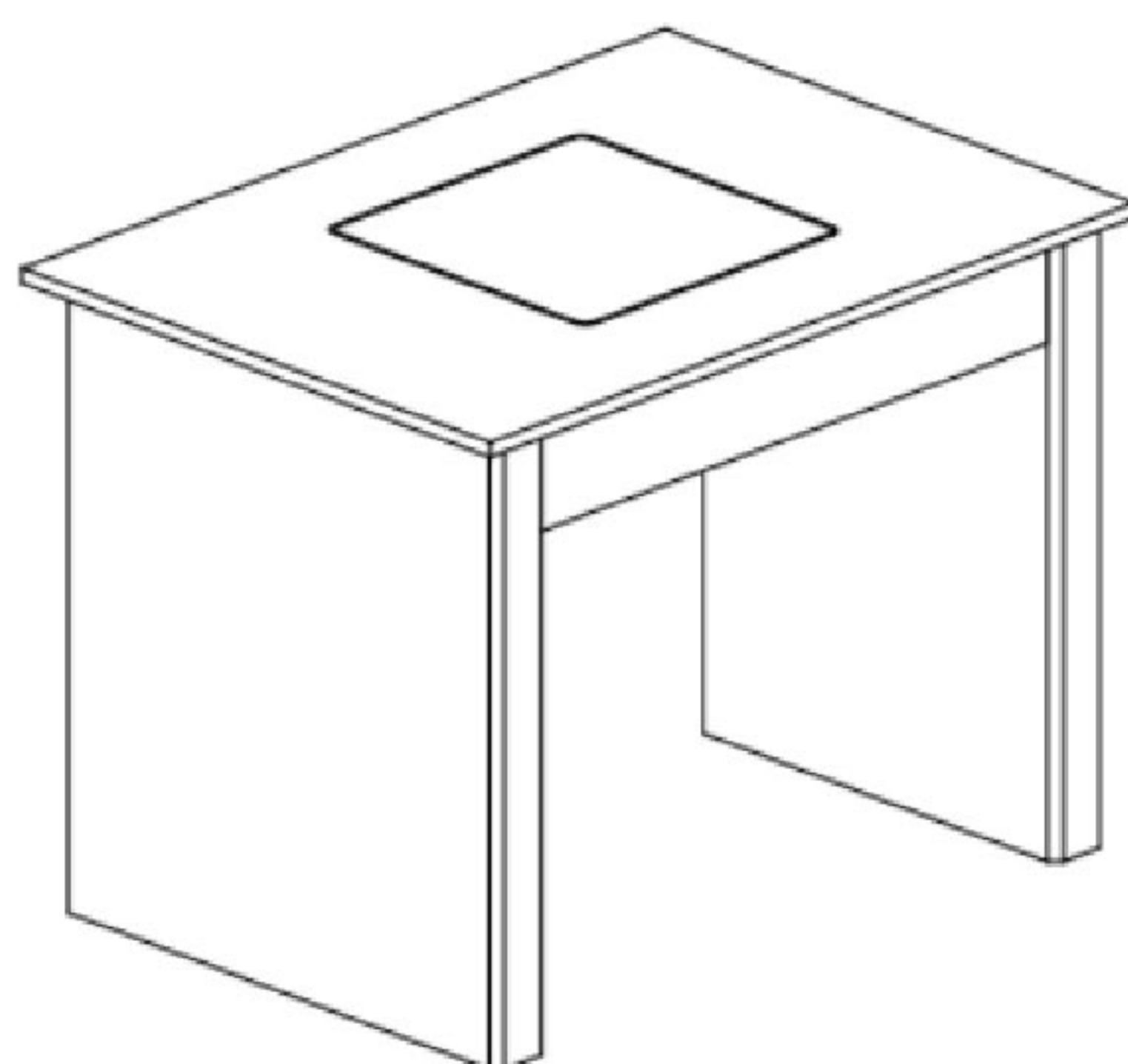
Application Range

Biological pharmaceutical, biological analysis, plant cultivation, environment detection and electronic instrumentation science research, and so on.

Features

This platform is designed for a 10,000-level balance with a secondary shock absorber, which absorbs most of the vibrations in the environment. The shock absorbers adopts an 45-degree shock-absorbing rubber press-formed adjustment pad; it can eliminate 18-32 Hz vibration in the environment; These vibrations are mainly caused by foot vibrations, breathing sounds when people are close, wind noise, and road vehicles. The work surface is divided into two parts, the 50mm thick granite used for the balance.

Model: HMTB-002



Specification

- 1.Size:** 900*600*850mm(W*D*H)
- 2.Worktop:** 28mm thickness marble and the middle is 80mm thick independent marble.
- 3.Main support:** 2.0 mm thickness cold-rolled steel sheet, epoxy resin powder coating on surfaceAnti-vibration device.
- 4.With adjustable combination foot.**

Application Range

Biological pharmaceutical, biological analysis, plant cultivation, environment detection and electronic instrumentation science research, and so on.

Features

This platform is designed for a 100,000-level balance with a secondary shock absorber, which absorbs most of the vibrations in the environment. The shock absorbers adopts shock-absorbing rubber press-formed adjustment pad; it can eliminate 18-32 Hz vibration in the environment; the second shock-absorbing device uses a 60-mm-thick granite countertop to eliminate 3-10 Hz vibration in the environment. These vibrations are mainly caused by foot vibrations, breathing sounds when people are close, wind noise, and road vehicles. The work surface is divided into two parts, the 60mm thick granite used for the balance, and the part is the physical board.

Specification

- 1. Size:** 900*600*850mm(W*D*H)
- 2. Worktop:** Phenolic resin worktop+100mm thickness black marble in middle
- 3. Frame:** H-steel frame made in 80*80*2mm with Anti-vibration device.
- 4. With movable Foma Wheels heavy support.**

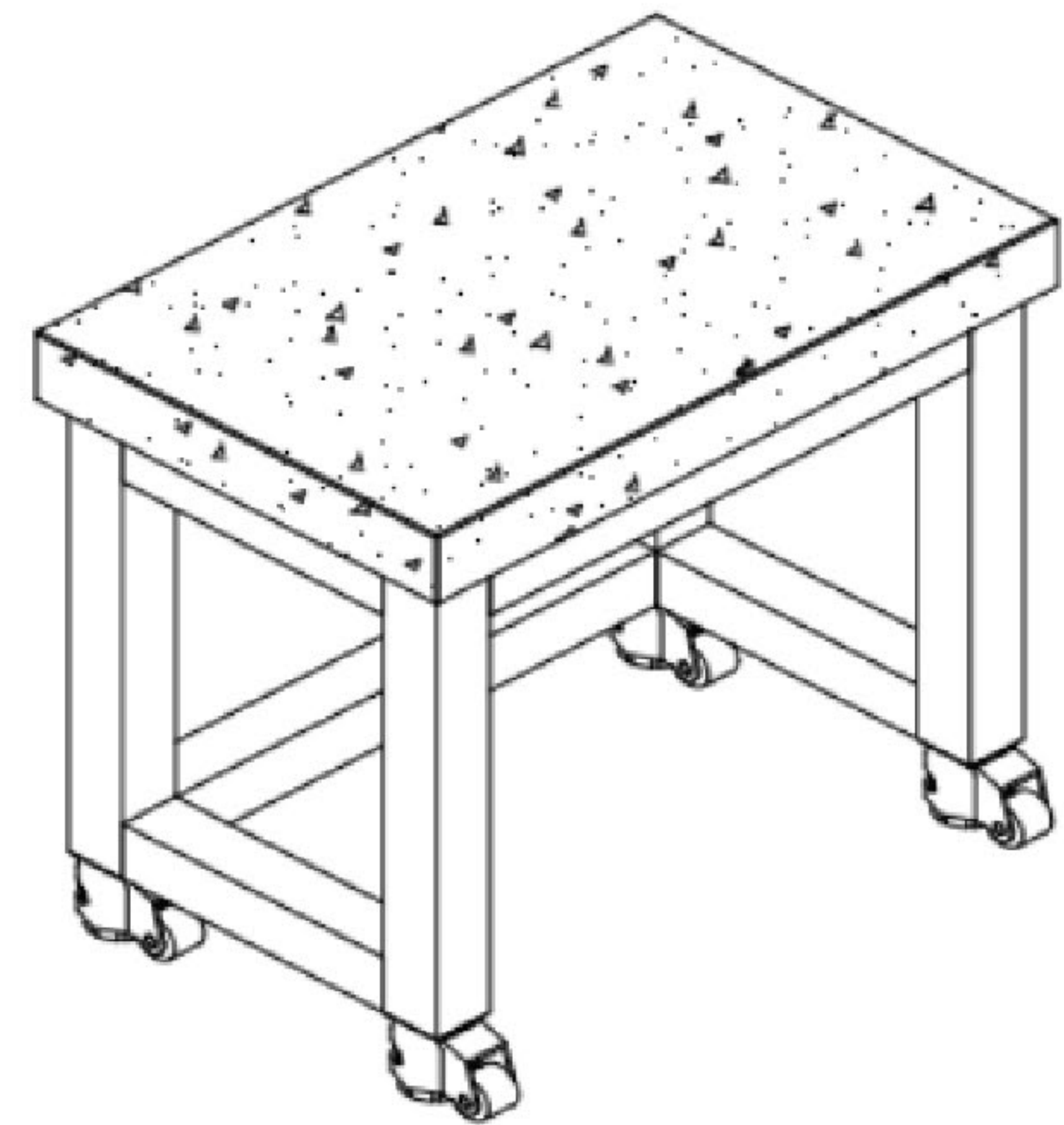
Application Range

Biological pharmaceutical, biological analysis, plant cultivation, environment detection and electronic instrumentation science research, and so on.

Features

This platform is designed for a 1000,000-level balance with a secondary shock absorber, which absorbs most of the vibrations in the environment. The shock absorber adopts a shock-absorbing rubber press-formed adjustment pad; it can eliminate 18-32 Hz vibration in the environment; the second shock-absorbing device uses a 100-mm-thick granite countertop to eliminate 3-10 Hz vibration in the environment. These vibrations are mainly caused by foot vibrations, breathing sounds when people are close, wind noise, and road vehicles.

MODEL: HMTB-003



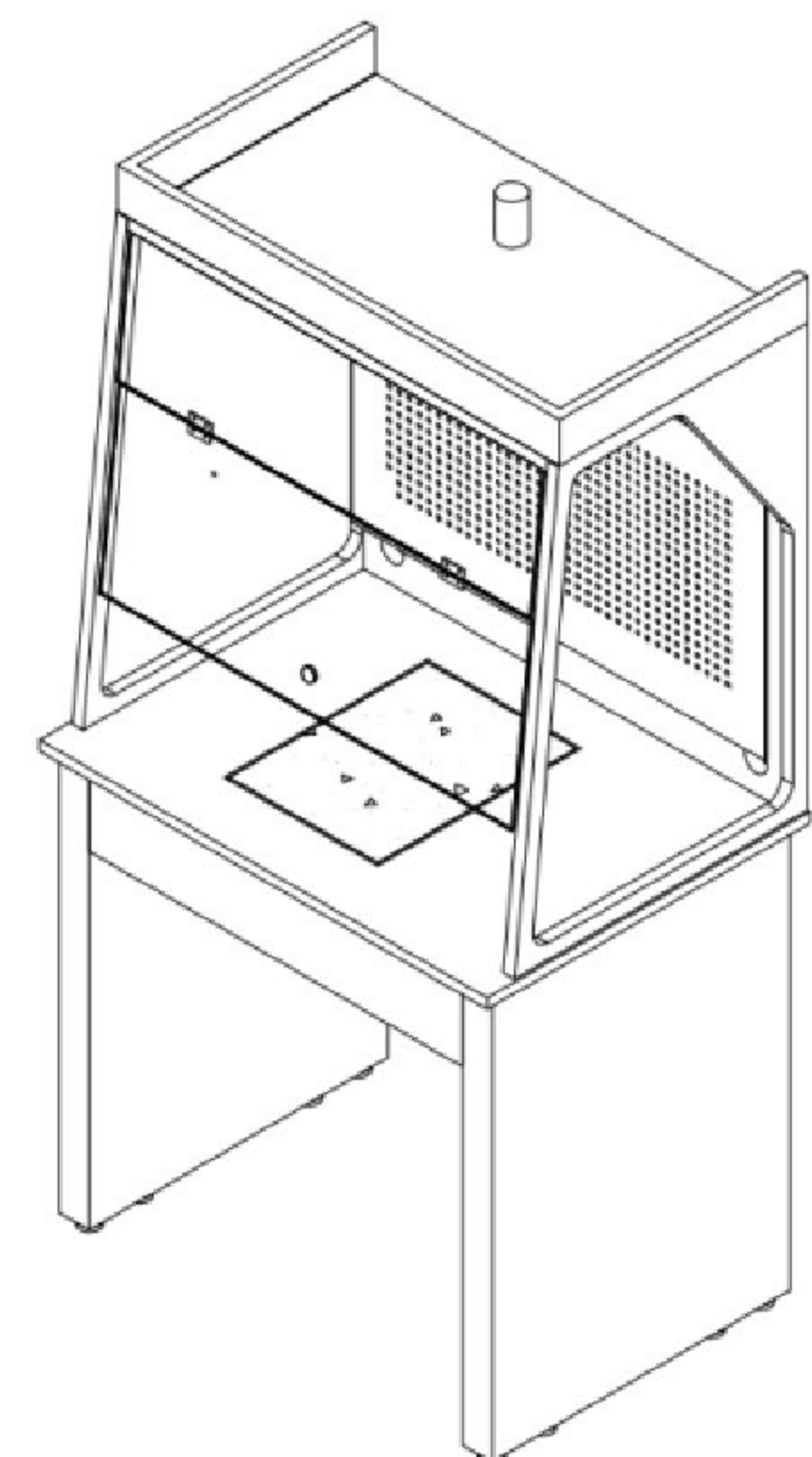
Features

Analytical balance is an instrument for accurate weighing. When the analytical balance is used, air flow, humidity and other factors will have an impact on the results of the analytical balance.

In order to avoid weighing errors caused by air flow, humidity and other factors, the analytical balance is usually used together with the balance table, which includes the operating platform and the wind cap set on the operating platform.

The wind cap is used to isolate the air flow and dust, and prevent the air humidity inside the wind shield, so as to ensure the weighing accuracy of the analytical balance.

MODEL: SWD1-900



STORAGE CABINET



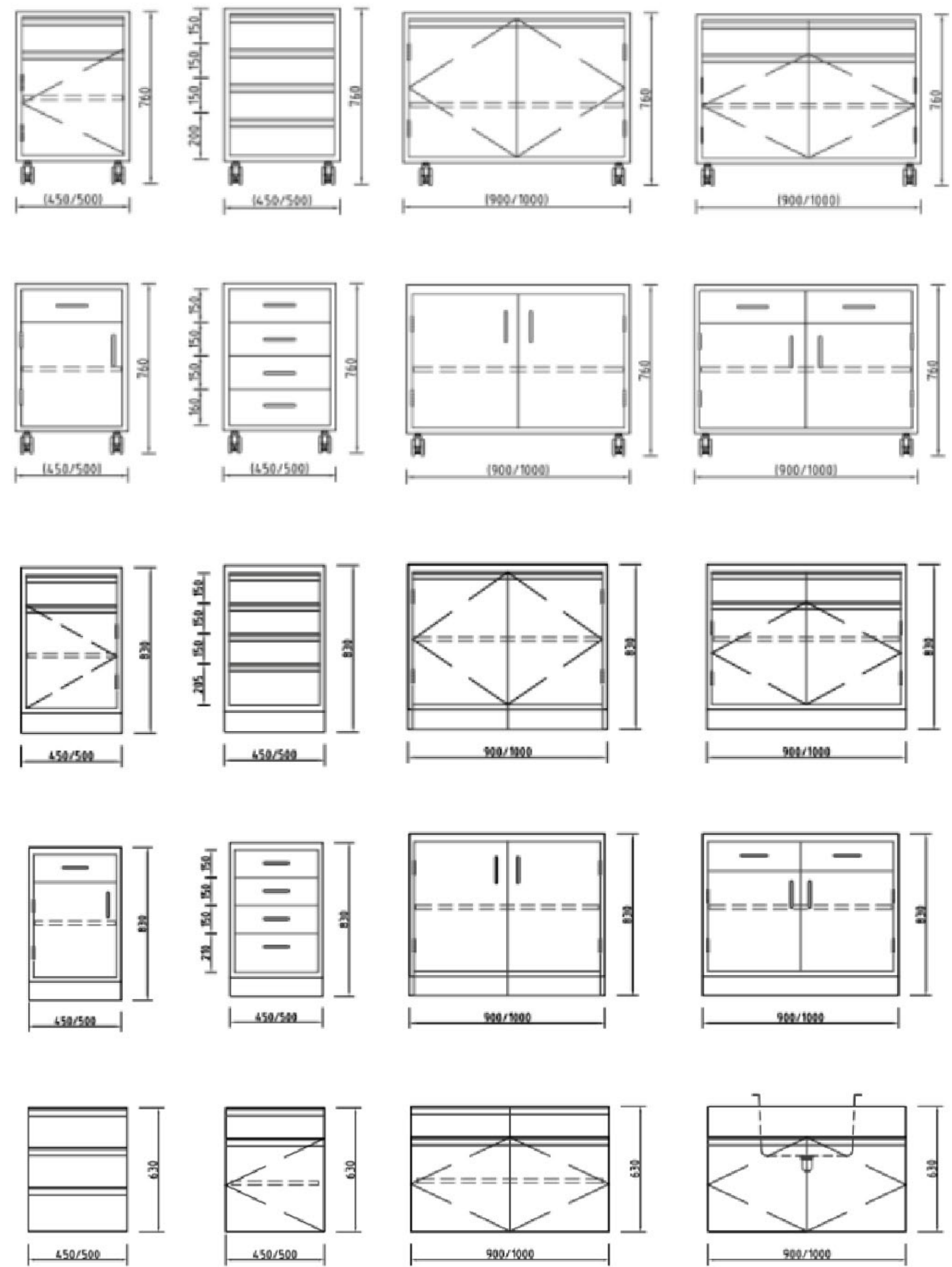
CABINET

Intended use

For storing equipment and chemicals in acc. with SEFA8M-2020

For working heights of 750 mm and 900 mm

Not suitable for storing flammable liquids, gas cylinders and self-igniting or self-decomposing substances



Technical Data

Width [mm]	450/600/900/1000/Customized
Depth [mm]	550/Customized
Overall height [mm]	640/790/Customized
Height, drawers [mm]	150/200/350/Combination possibilities
Height, plinth [mm]	110/Customized

Design characteristics

	For working height 750 and 900 mm
	Hinged doors with 180° hinges
Construction	Drawers, fully extensible
	Shelf, height-adjustable
	Covered at the top, rear panel permanently connected with the carcass
	4 swivelling castors, front castors can be locked
Handle	Flat Handle/C handle, stainless steel
Closing	Optional
Soft stop for drawer	Standard
Drawers with change-pull-out catch	Optional

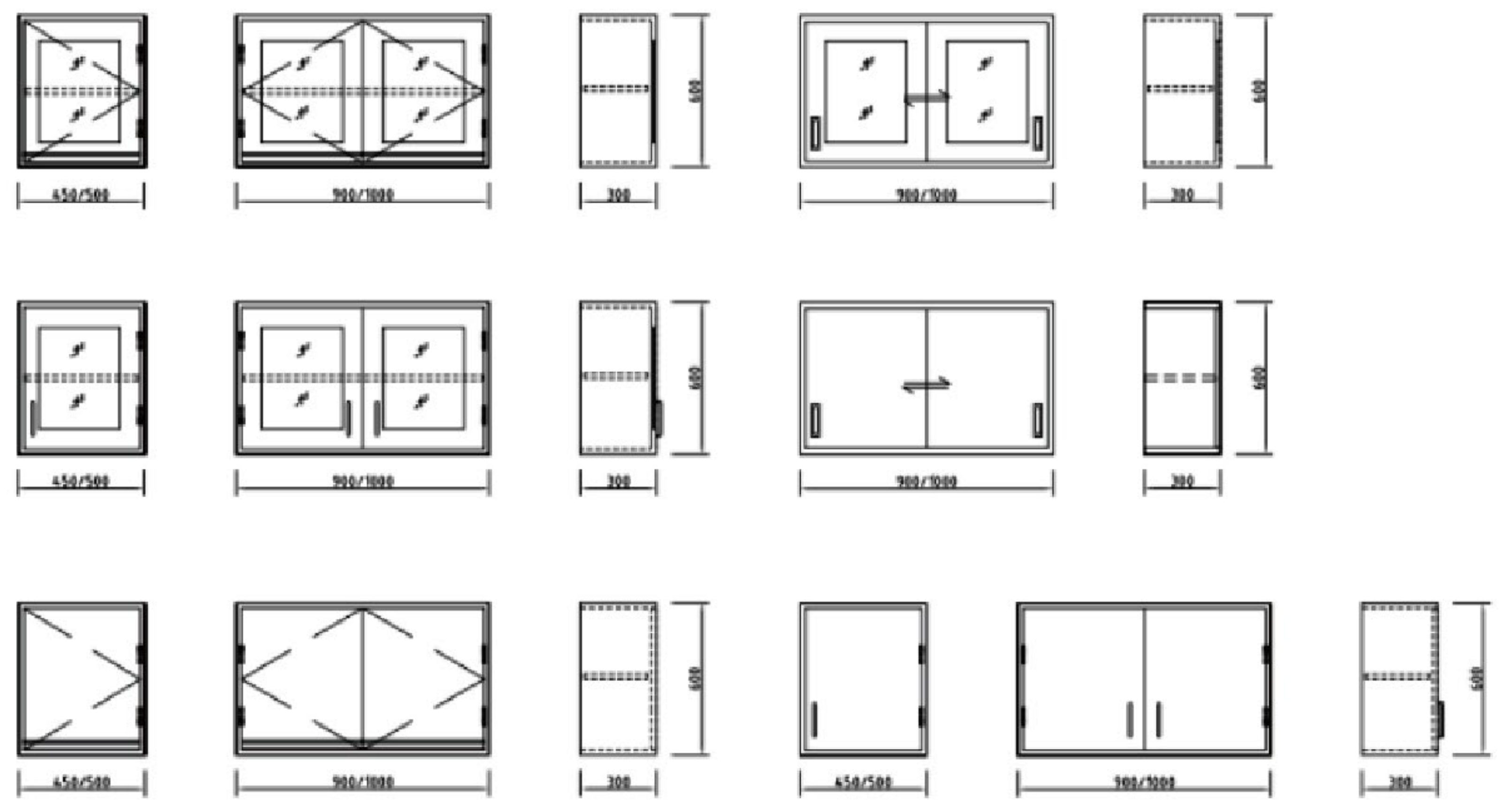
Overbench Cabinets

Intended use

For storing equipment and chemicals in acc. with SEFA8M-2020

For working heights of 750 mm and 900 mm

Not suitable for storing flammable liquids, gas cylinders and self-igniting or self-decomposing substances



Technical Data

Width [mm]	450/500/600/900/Customized
Depth [mm]	500
Overall height [mm]	380/530
Height, drawers [mm]	100/200/350/Combination possibilities

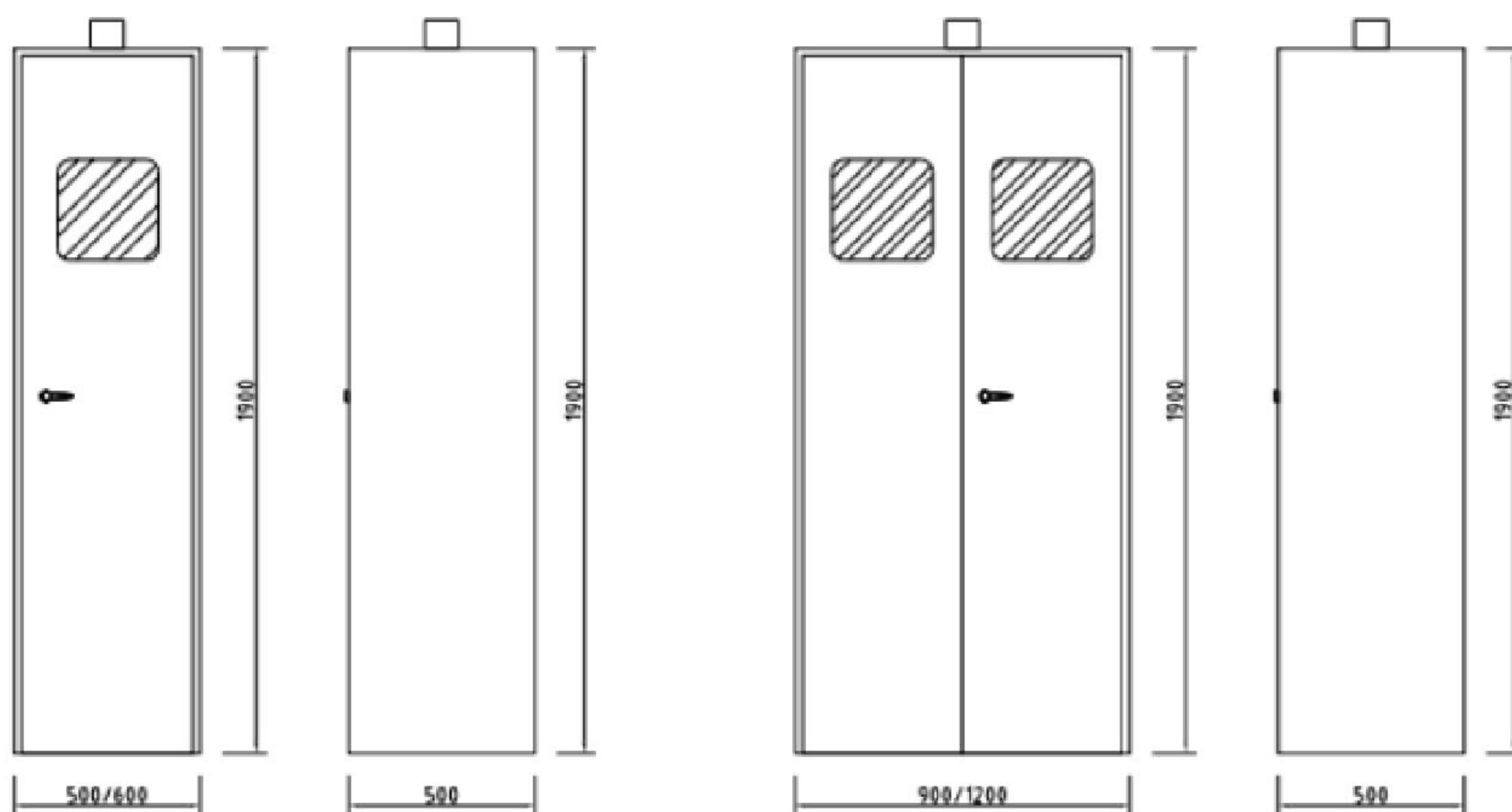
Design characteristics

	Hinged doors with 180° hinges
	Drawers, fully extensible
Construction	Covered at the top, rear panel permanently connected with the carcass Shelf, height-adjustable
	Hinged doors with 1 shelf at a height of 530 mm
Handle	Flat Handle/C-type, stainless steel
Full-height drawers	Optional
Soft stop for drawer	Standard
Closing	Optional

Intended use

Gas cylinder cabinet is a specialized storage solution designed to safely contain gas cylinders, minimizing the risk of accidents and injuries associated with flammable and hazardous gases.

Store Gas Cylinders Securely. Provide a safe environment to store cylinders.
Not suitable for storing flammable liquids, gas cylinders and self-igniting or self-decomposing substances



Dimensions

Width [mm]	600/900/1200
Depth [mm]	500
Overall height [mm]	1900

Design characteristics

Structure: Full Steel Floor-Mounted

Material: 1.2mm thickness cold-rolled steel plate

Coating: Epoxy resin powder coating

Construction

Connection to the ventilation system

Mounting rail to take up gas reduction units

Roll-in ramp for gas cylinders

4 height-adjustable feet

Hinged doors

Ventilation data

Air exchange rate [m ³ /h]	60/90/120/140
Ventilation connection Ø [mm]	90

Reagent Cabinet

Intended use

Reagent cabinet is a specialized storage unit designed to safely store chemical reagents and other hazardous materials used in laboratory settings.

Not suitable for storing flammable liquids, gas cylinders and self-igniting or self-decomposing substances



Dimensions

Width [mm]	600/900
Depth [mm]	500
Overall height [mm]	1900

Design characteristics

Structure: Full Steel Floor-Mounted

Material: 1.2mm thickness cold-rolled steel plate

Coating: Epoxy resin powder coating

Construction

Shelf: 4-layer shelf; height adjustable

Shelf Material: Steel or Polypropylene

Cabinet door: steel or glass

Connection to the ventilation system

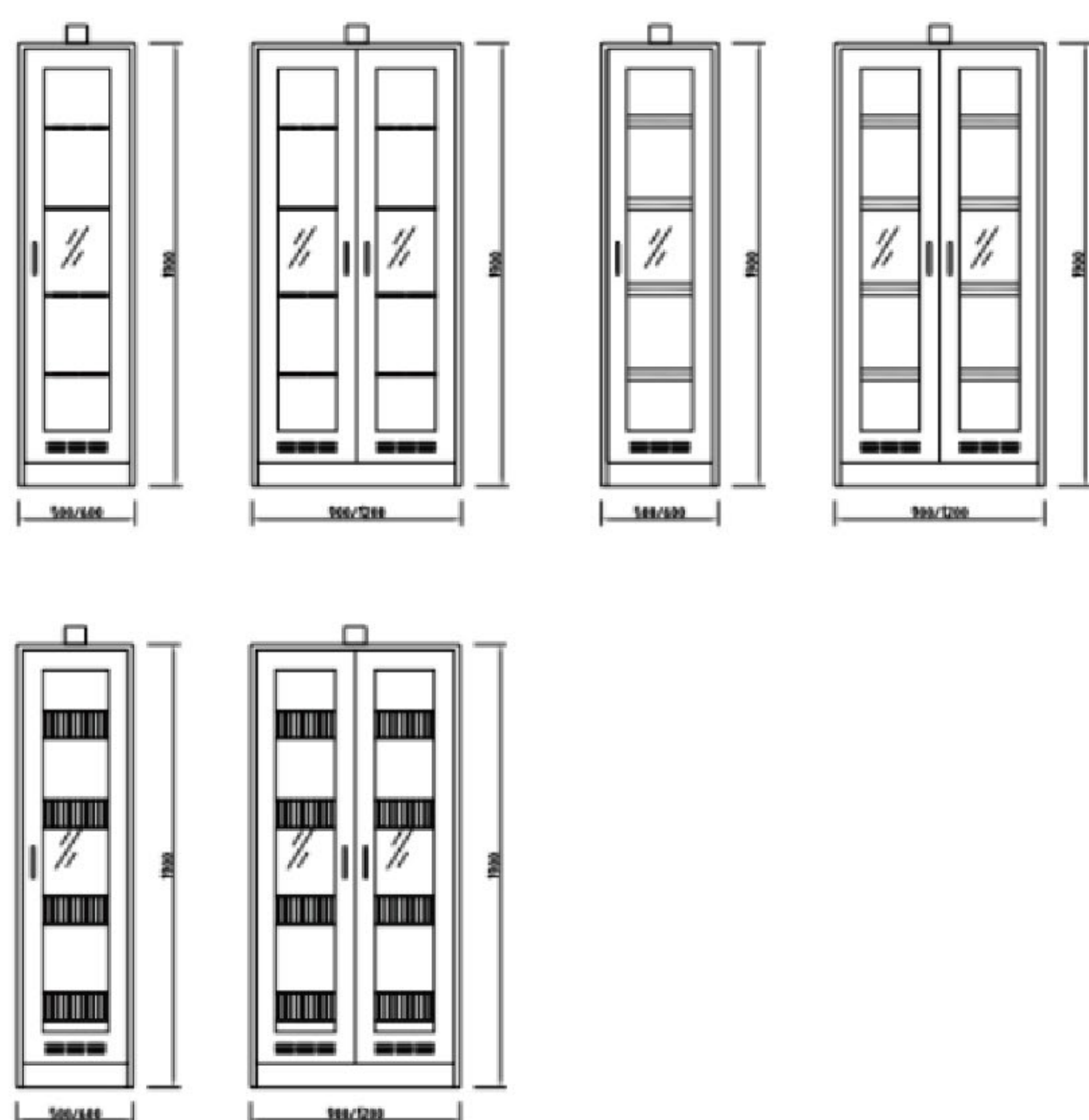
Ventilation data

Air exchange rate [m ³ /h]	60/90/120/140
Ventilation connection Ø [mm]	90

Intended use

For utensils storage

Not suitable for storing flammable liquids, gas cylinders and self-igniting or self-decomposing substances



Dimensions

Width [mm]	600/900/Customized
Depth [mm]	500
Overall height [mm]	1900

Design characteristics

	Structure: Full Steel Floor-Mounted
Shelf	Material: 1.2mm thickness cold-rolled steel plate Coating: Epoxy resin powder coating Shelf: 4-layer; height adjustable; shelves are respectively provided with diameter of 30, 50, 70, 100 hole, bottom with PP water wheel, anti acid and alkali corrosion. Shelf Material: 304 Stainless Steel or Polypropylene Cabinet door: Solid steel or glass door Bottom panel : with water collection tray

Ventilation data

	Connection to the ventilation system
Air exchange rate [m ³ /h]	60/90/120/140
Ventilation connection Ø [mm]	90

Safety Storage Cabinet

Sturdy 18-gauge (1-mm) double wall steel construction with 1-1/2-in (38-mm) of insulating air space.
 Safety shelves direct spills to back and bottom of leakproof sump.
 Adjustable on 3-in (76-mm) centers, they meet ANSI standards.
 Easily secure your contents handle includes double key set or can be padlocked (not included) for greater security.
 Highly visible reflective label provides warning-“Flammable – Keep Fire Away”
 Adjustable leveling feet make it easy to balance cabinets on uneven surfaces.
 Built-in grounding connector (on outside side panel) for easy grounding.



Capacity Gallons/Liters	Number of Doors and Style	Dimensions H x W x D		Adjustable Shelves
		Exterior	Interior	
30/114	2 door, manual	44 x 43 x 18 in 1118 x 1092 x 457 mm	39.625 x 39.5 x 14.562 in 1006 x 1003 x 370 mm	1
45/170	2 door, manual	65 x 43 x 18 in 1651 x 1092 x 457 mm	60.5 x 39.5 x 14.562 in 1537 x 1003 x 370 mm	
60/227	2 door, manual	65 x 34 x 34 in 1651 x 864 x 864 mm	60.5 x 30.75 x 30.34 in 1537 x 781 x 771 mm	2
90/341	2 door, manual	65 x 43 x 34 in 1651 x 1092 x 864 mm	60.5 x 39.5 x 30.34 in 1537 x 1003 x 771 mm	

Acid Storage Cabinet

Sturdy 18-gauge (1-mm) double wall steel construction with 1-1/2-in (38-mm) of insulating air space.
 Adjustable leveling feet make it easy to balance cabinets on uneven surfaces.
 Built-in grounding connector (on outside side panel) for easy grounding.
 An all epoxy baked-on powder-coat finish, inside and out, provides increased chemical resistance.
 Polyethylene trays fit over galvanized steel shelves and a separate polyethylene liner for the bottom sump helps resist aggressive chemicals. Easily remove the liner for quick cleaning of drips and leaks.



Capacity Gallons/Liters	Number of Doors and Style	Dimensions H x W x D		Adjustable Shelves
		Exterior	Interior	
30/114	2 door, manual	44 x 43 x 18 in 1118 x 1092 x 457 mm	39.625 x 39.5 x 14.562 in 1006 x 1003 x 370 mm	1
45/170	2 door, manual	65 x 43 x 18 in 1651 x 1092 x 457 mm	60.5 x 39.5 x 14.562 in 1537 x 1003 x 370 mm	
60/227	2 door, manual	65 x 34 x 34 in 1651 x 864 x 864 mm	60.5 x 30.75 x 30.34 in 1537 x 781 x 771 mm	2
90/341	2 door, manual	65 x 43 x 34 in 1651 x 1092 x 864 mm	60.5 x 39.5 x 30.34 in 1537 x 1003 x 771 mm	

Ductless Filtered Storage Cabinet

1. Main material: ≥1.2mm galvanized steel sheet
Epoxy resin electrostatic spray coating
Durable, chemical-resistant, lead-free coating
High gloss and minimal corrosion and moisture impact

2. Doors: Main material: ≥6mm acrylic sheet
Excellent weather resistance and chemical resistance
Aging-resistant, colorless, transparent, and visually comfortable

3. Shelves: Molded polypropylene (PP) trays, which are acid and alkali resistant. The height is adjustable, with optional perforated galvanized steel shelves available.

4. Acid and Alkali Resistant Spill Drawer: The inner liner of the drawer is made of polypropylene (PP), which is corrosion-resistant, preventing leaks from broken reagent bottles.

5. Real-time Temperature and Humidity Monitoring System:
Displays temperature and humidity
Alarm parameter settings to ensure safe use

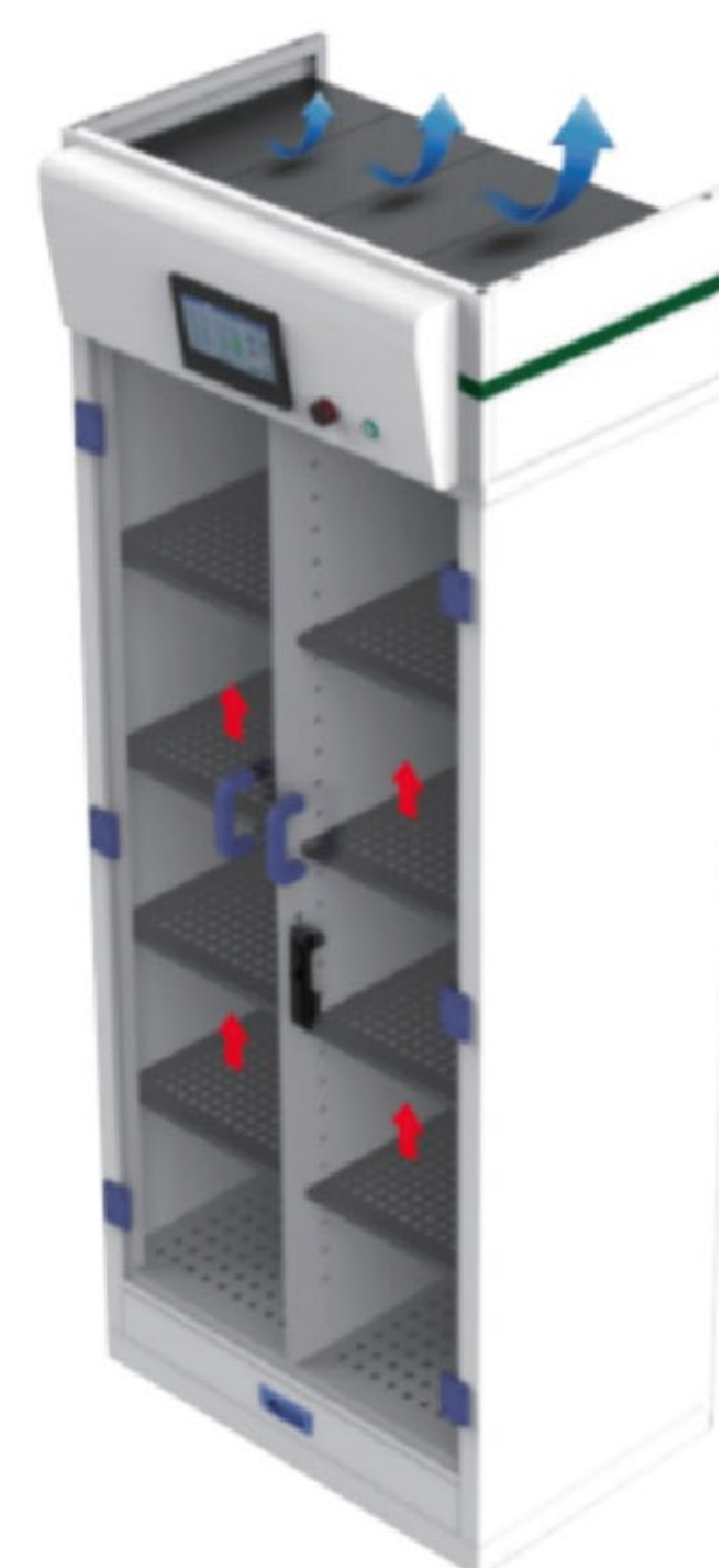
6. Fan Monitoring:
Fan system failure alarm
Adjustable fan speed to meet different chemical handling requirements

7. Filter Saturation Alarm System:
Equipped with dual filters and dual VOC sensors
One sensor monitors indoor air quality
The other sensor monitors filter saturation
Saturation alarm value setting, alerts when exceeded
If the concentration remains above the set value for an extended period, the filter needs to be replaced

8. PSC Fan from the USA: 24V voltage
Stable performance, ultra-quiet, no sparks or static electricity.

9. High-Efficiency Filtering System:
Arranges particles according to particle size, compliant with ASTM standards, highly effective against acidic and organic gases, with strong adsorption capacity.
Adopts a high-efficiency HEPA filter, achieving 99.995% filtration efficiency for particles larger than 0.3µm.

10. 7-Inch Large Screen Display:
IoT smart HMI interface
Resolution: 1024x600, perfect visual system



1. Fan Operation:
A fan located at the top of the cabinet draws air from the laboratory into the cabinet, creating negative pressure.

2. Gas Filtration:
Harmful gases evaporating from stored chemicals are drawn into the filtration module by the fan. Toxic and hazardous molecules are trapped by the filters, and clean air is returned to the room.

3. High-Quality Air Purification:
The filtered clean air is recirculated indoors, ensuring the health and safety of personnel.

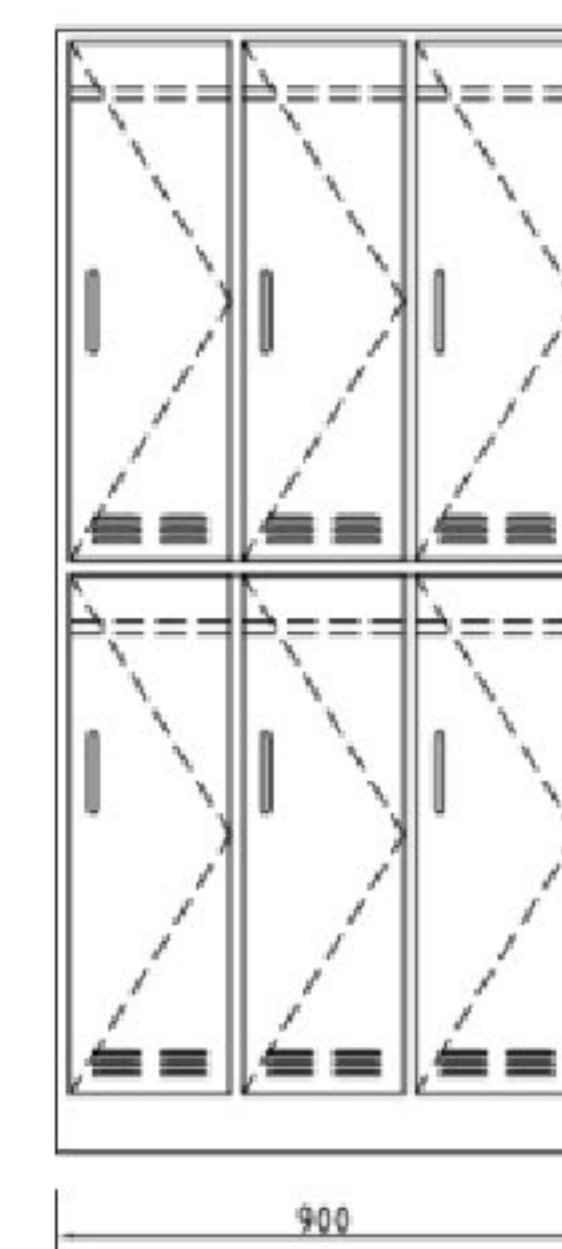
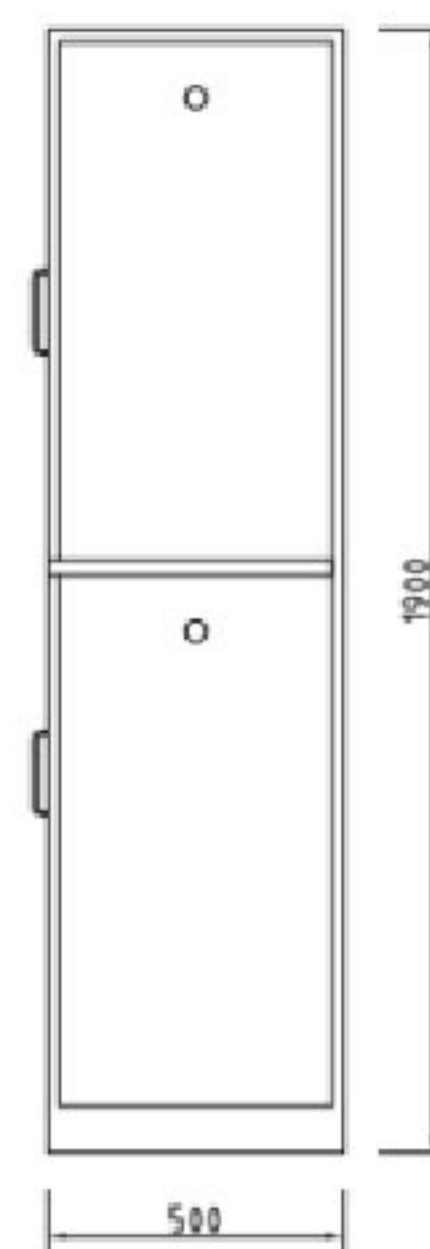
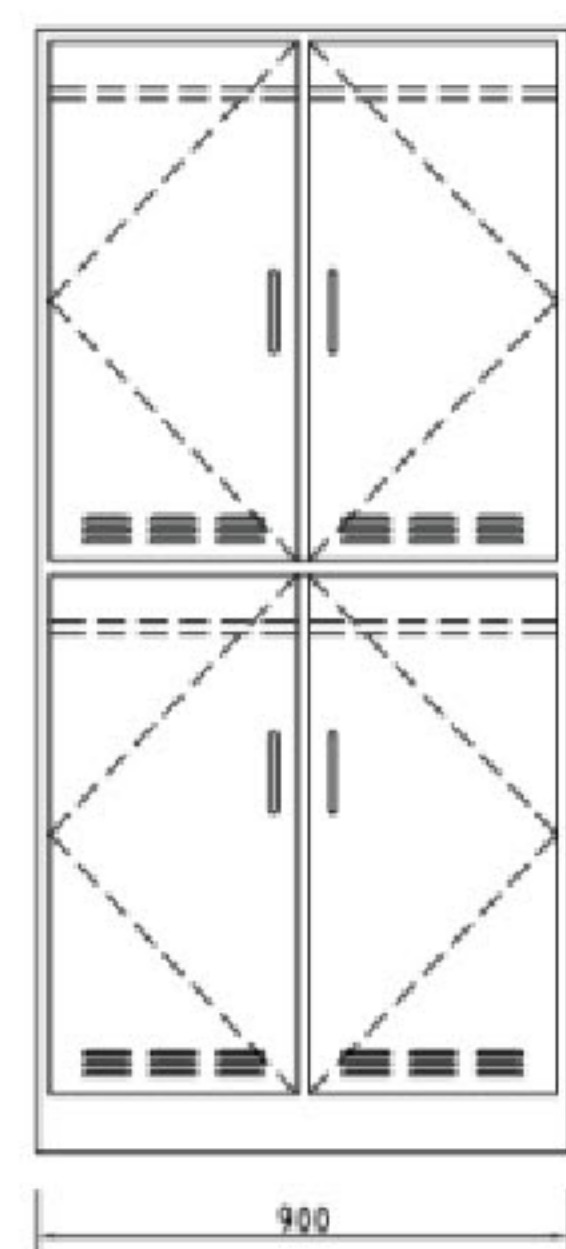
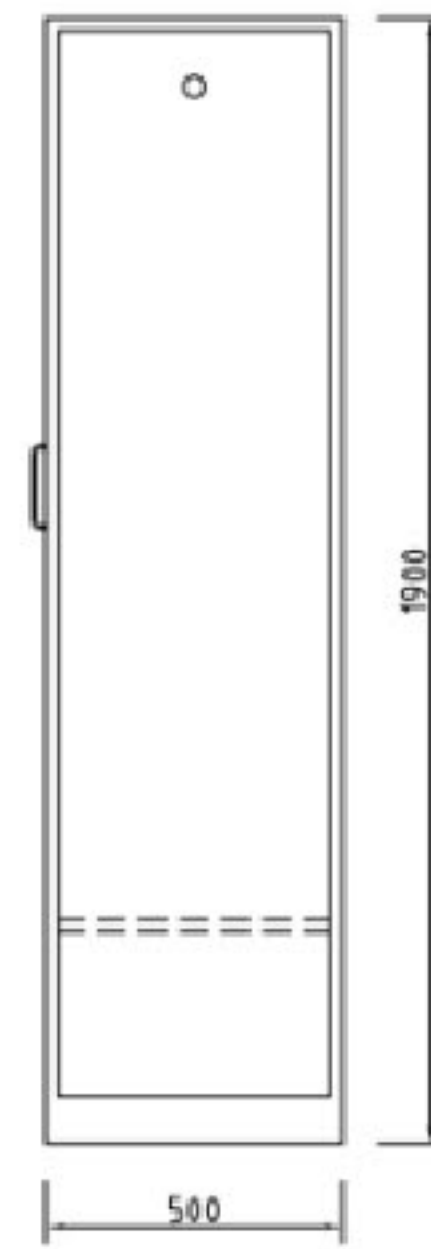
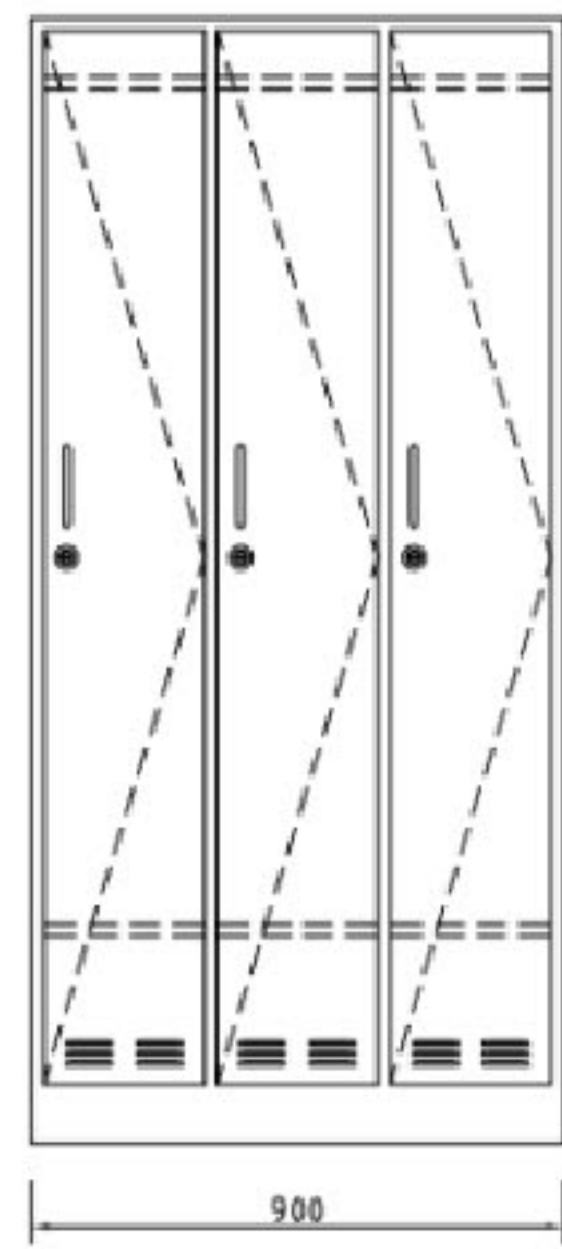
4. Air Purification:
The cabinet continuously purifies laboratory air, enhancing air quality in the lab (It is recommended to keep the fume cabinet operational 24/7).

Model	HM-G800	HM-G1600	HM-G819
Outer size W*D*H (mm)	800*510*2070mm	1600*620*1245mm	1600*620*1245mm
Inner size W*D*H (mm)	797*475*1604	1594*475*1604	816*475*1604
Storage capacity	160 bottles	320 bottles	48 bottles
Air handling capacity	230m ³ /h	230m ³ /h	230m ³ /h
Shelf Loading capacity	120kg/m ²	120kg/m ²	120kg/m ²
Voltage	110-240V	110-240V	110-240V
Frequency	50-60Hz	50-60Hz	50-60Hz
Power	42W	42W	42W
Maximum current	2A	2A	2A
Volume	40dBA	40dBA	40dBA
Control System	1set	1set	1set
VOC Alarm System	2set	2set	2set
Temperature& humidity alarm system	1set	1set	1set
Remote monitoring system	1set	1set	1set

Locker

Intended use

For storing laboratory clothes



Dimensions

Width [mm]	500/600/900/1200/Customized
Depth [mm]	500
Overall height [mm]	1900
Num. of doors	2/3/4/5/6/7/8/9

Material

Steel/Stainless Steel

Intended use

Lab Steel Racks are versatile storage solutions commonly used in various settings. They are constructed from slotted-angle steel, allowing customizable configurations to meet specific storage needs.

Modular Design:

Easily assembled and adjusted to create different shelf heights and configurations.

Durability:

Made from robust steel materials, these racks are designed to withstand heavy loads and provide long-lasting performance.

Versatility:

Suitable for storing a wide range of items, including tools, equipment, and laboratory supplies. They can be used in various environments, from industrial settings to laboratories.

Adjustable Shelves:

users can customize the height of each shelf based on their storage requirements.



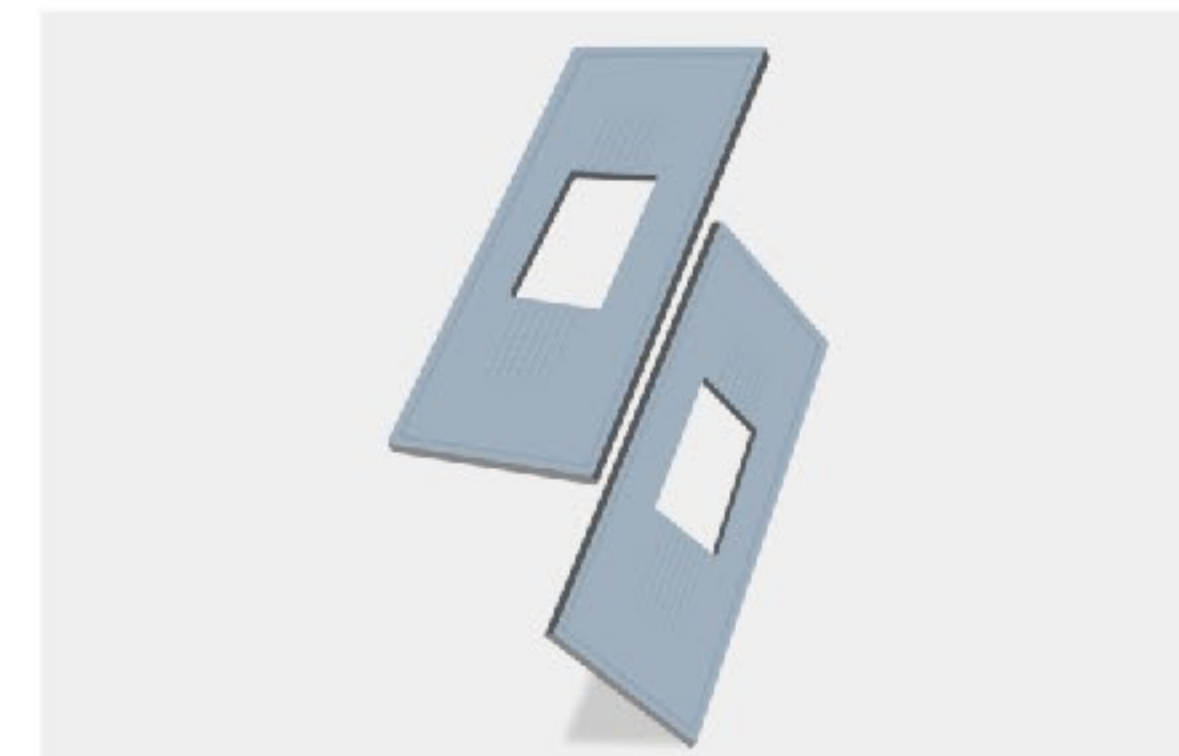
Dimensions

Material	Steel/304, 316 SS
Width [mm]	600/900/1200/Customization
Depth [mm]	500
Overall height [mm]	1900

ACCESSORIES

Worktop

Ceramic



Type & Thickness	Plane type=20mm/Butterfly Type=20+5mm (water flash panel)=25mm
Specification	The maximum size is 1800 x 900mm
Application	Chemical laboratories with high requirements for acid and alkali resistance
Features	High temperature resistance of 1200 °C, anti-corrosion chemical reagents.
Color	Grey/Black/White/Blue

Epoxy Resin



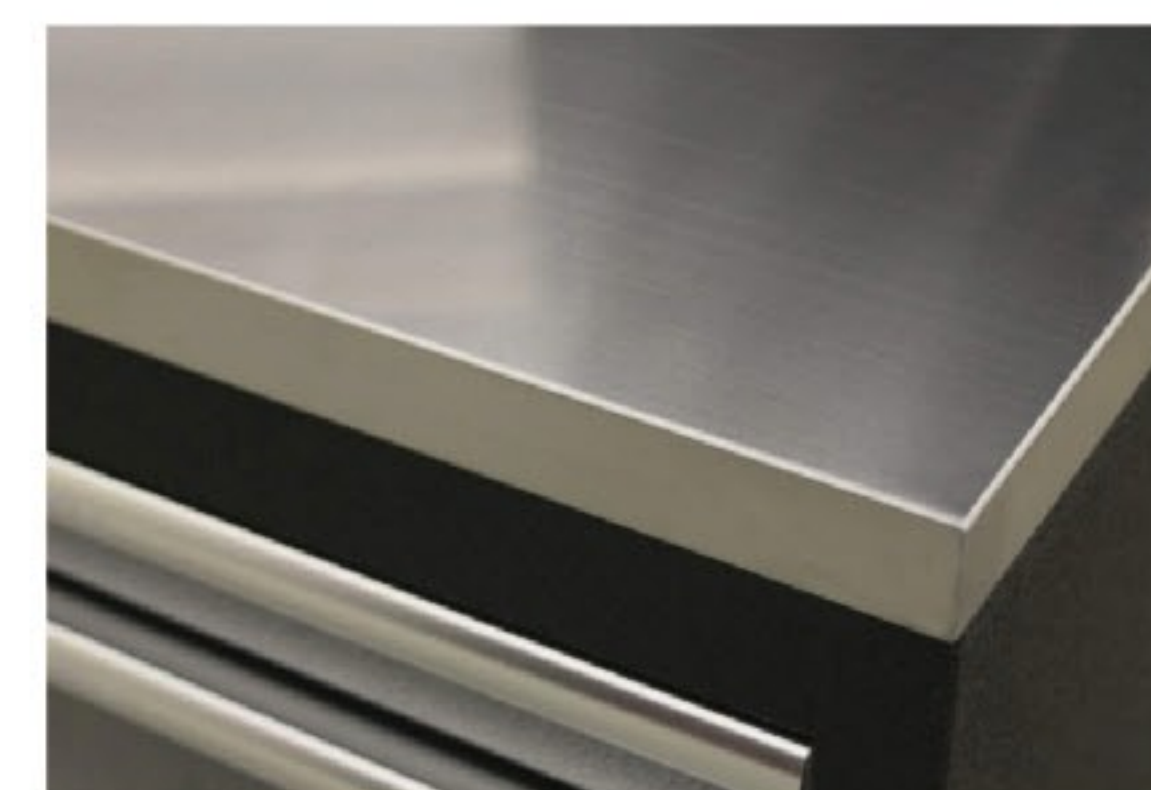
Type & Thickness	Plane type: 16mm/19mm/Butterfly Type: 19/25mm thick
Specification	1580*2480/1830*2480
Application	Laboratories with special requirements for high temperature resistance and corrosion resistance on the table
Features	Acid and alkali resistance, 600 °C high temperature resistance, grindable repair, high hardness, high density, impact resistance, heat resistance, flame retardant.
Color	Grey/Black/White

Phenolic resin/Trespa



Type & Thickness	13mm/16mm/19mm/20mm
Specification	3050x1525mm/1830x3660mm/3050x1530mm/3660x1530mm
Application	General Chemistry Laboratory
Features	Easy to clean, good load bearing; acid and alkali resistance, high temperature resistance 180 °C, radiation resistance has bacteriostatic function, resistant to scraping, suitable for use in the instrument room.
Color	Options

Stainless steel



Type & Thickness	1.0mm/1.2mm/1.5mm
Specification	≤1500mm
Application	Paint, dye, food and other industries, clean room
Features	Corrosion resistance, prevent bacterial growth, easy to clean
Color	Surface brushed primary color

ACCESSORIES

Lab CHAIR/STOOL



Lab Chair



Lab Chair

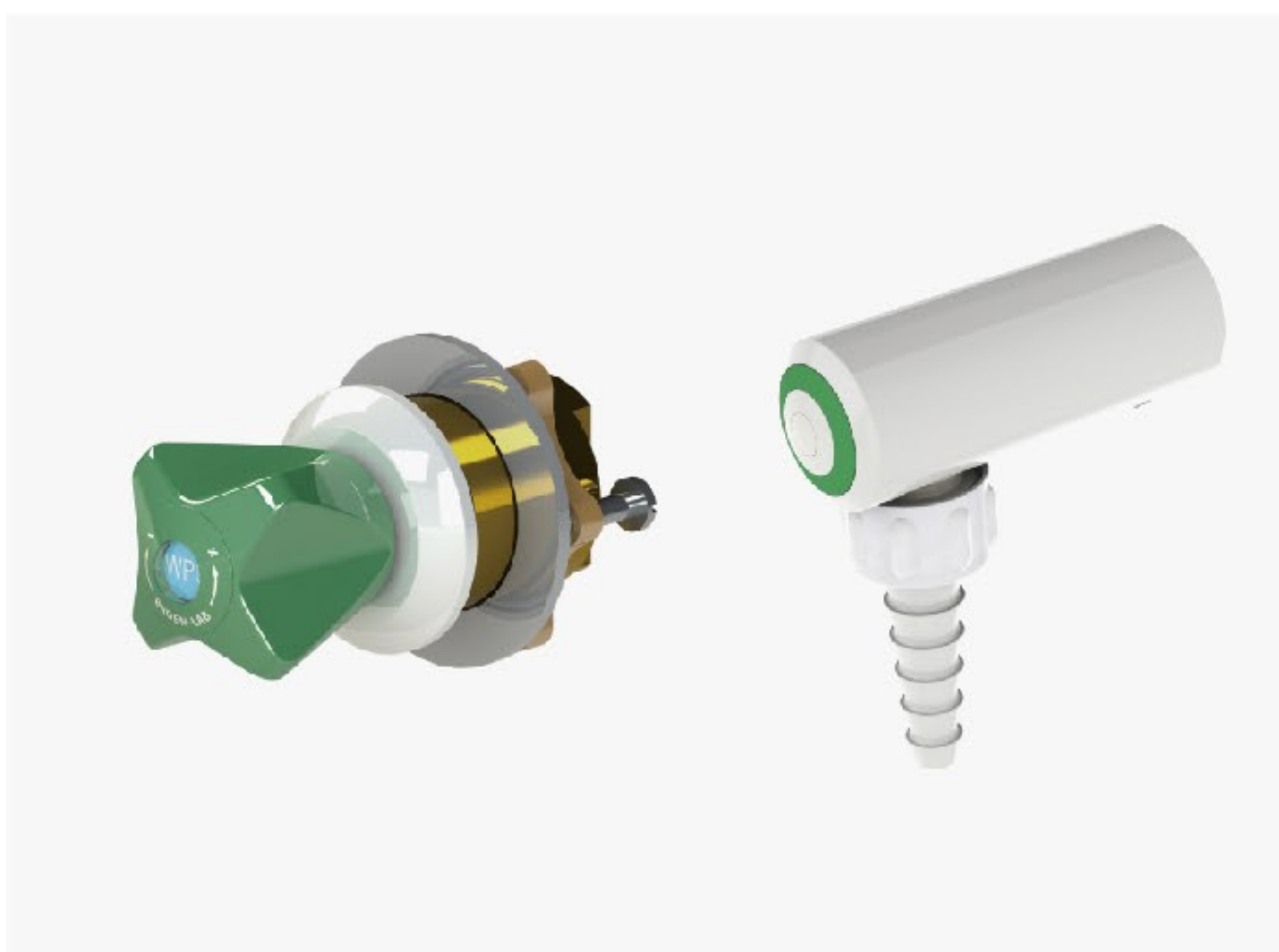


Lab Stool



SS Lab Stool

LAB GAS/WATER FITTINGS



Water Valve&Outlet



Gas Valve&Outlet



Gas Line Valve



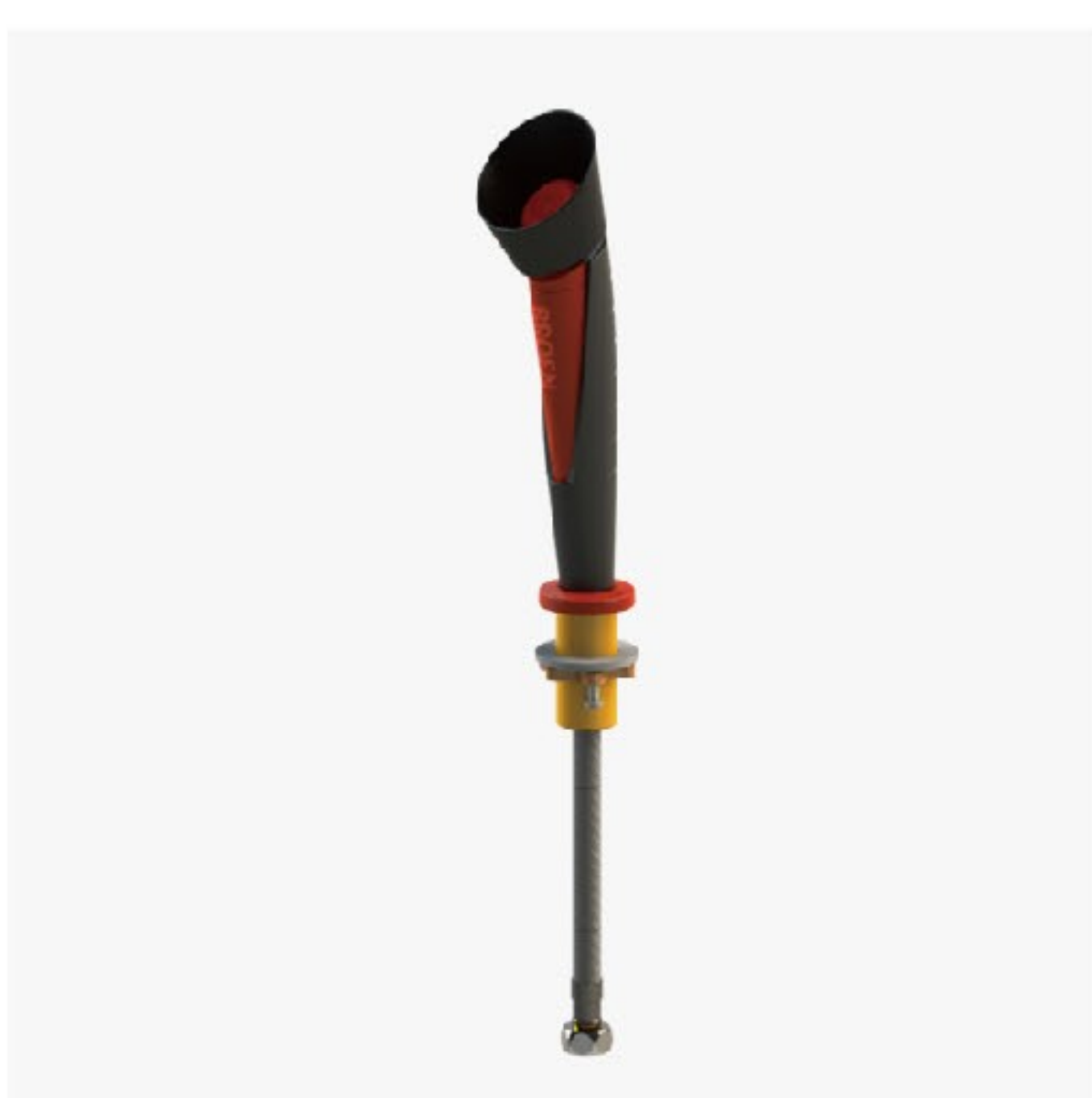
PP Sink&Fittings



Faucet



PP Pegboard



Eye wash



Emergency Shower



Stainless Steel Atomic Hood



Fume Exhaust



汉美科(上海)实验室设备有限公司
Hamecc(Shanghai) Lab Solutions Co.,ltd

上海市闵行区丰虹路199号德必虹桥国际WE511室
RM511, Dobe Hongqiao International, No.199 Fenghong Road,
Minhang District, Shanghai

Web: <http://www.hamecc.com> **Email:** export@hamecc.com

